

32RPA ROUND POLE ADAPTER ASSEMBLY INCLUDED PARTS:
HARDWARE MEETS OR EXCEEDS STATE SPECIFICATIONS

- (2) 11RPA (2) ROUND POLE ADAPTER MACHINED CASTINGS*
- (1) 32RPAPK POLE MOUNTING ADAPTER PARTS KIT:
- (4) 1/4"x1"-20 SERRATED FLANGE BOLT

* STANDARD WITH CLEAR ANODIZING,
 (i.e. 32RPA).

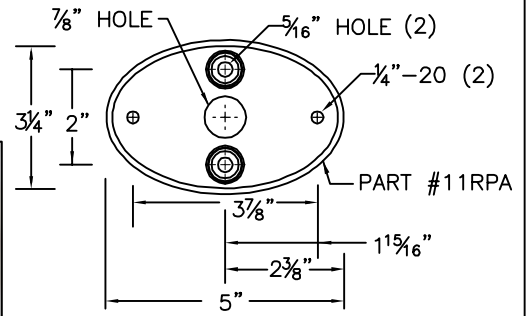
FOR NO FINISH DESIGNATE (-NF) IN CAT. #,
 (i.e. 32RPA-NF).

RAL POWDER COAT COLORS AVAILABLE,
 DESIGNATE (-COLOR) IN CAT. #, CONFIRM
 PRIOR TO ORDERING, (i.e. 32RPA-K),
 WHERE "-K" IS BLACK.

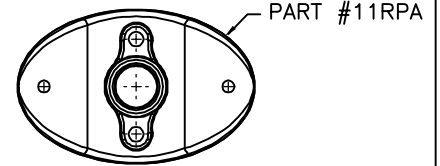
NOTE: APPLY ANTI-SEIZE LUBRICANT TO
 THREADED SURFACES.

NOTE: APPLY BEAD OF OUTDOOR
 SILICON TO POLE SIDE OF CASTING.

NOTE: ROUND POLE ADAPTER MAY BE USED
 TO MOUNT OTHER DEVICES.



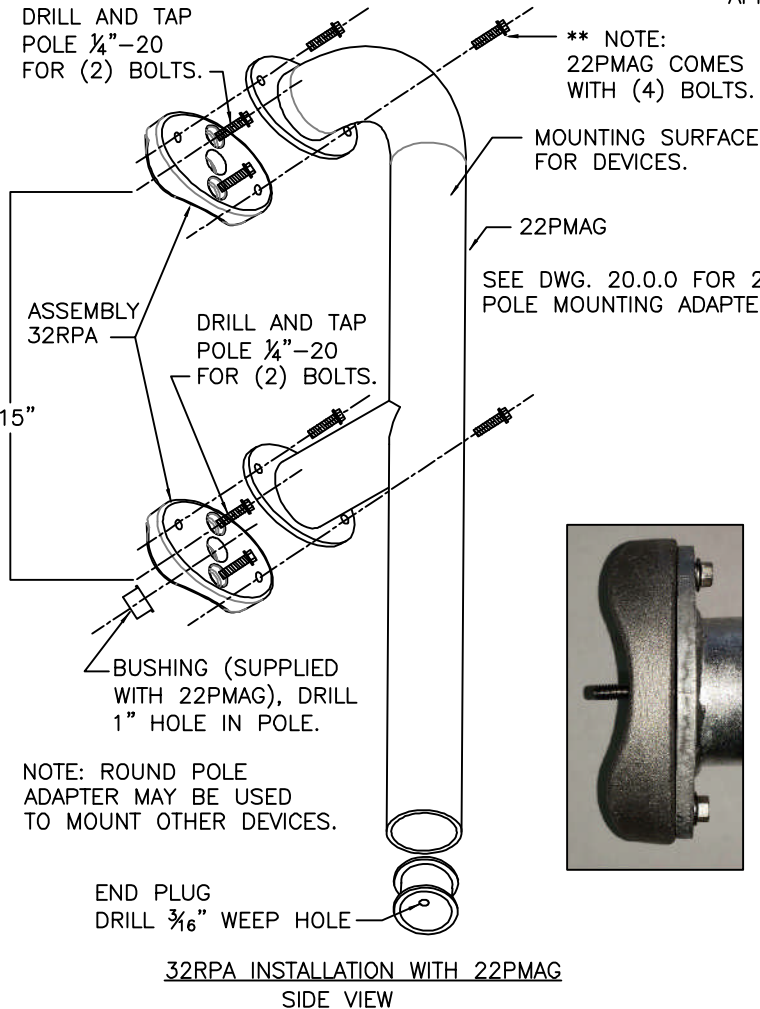
FLANGE SIDE



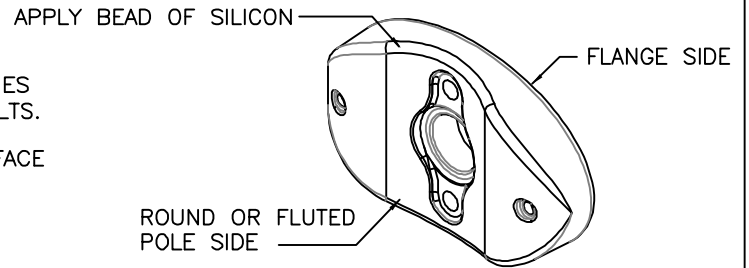
ROUND OR FLUTED POLE SIDE



PLAN VIEW

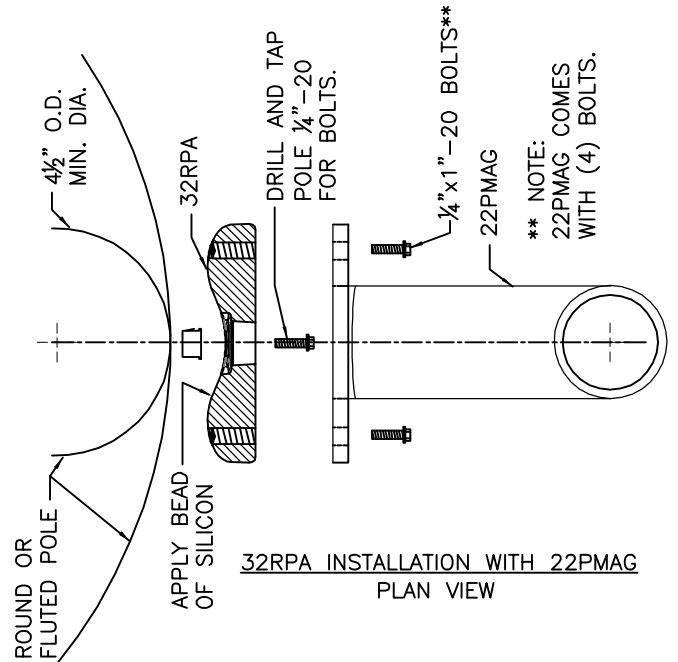
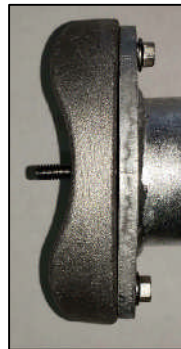


32RPA INSTALLATION WITH 22PMAG
 SIDE VIEW



SEE DWG. 20.0.0 FOR 22PMAG
 POLE MOUNTING ADAPTER - GALVANIZED

32RPA ROUND POLE ADAPTER
 (SEE INCLUDED PARTS)



NOT TO SCALE.

FREY
 Manufacturing Corp.
 www.FreyMfgCorp.com
 Made in USA
 Phone: 952-467-4402

**ROUND POLE ADAPTER & INSTALLATION
 FOR ROUND OR FLUTED POLE**
 ASSEMBLY NO. 32RPA (Powder Coat colors available)
 FOR
 MOUNTING 22PMAG TO A ROUND OR FLUTED SURFACE

DATE	DWG. NO.	REV.
03-5-19	20.1.0	-