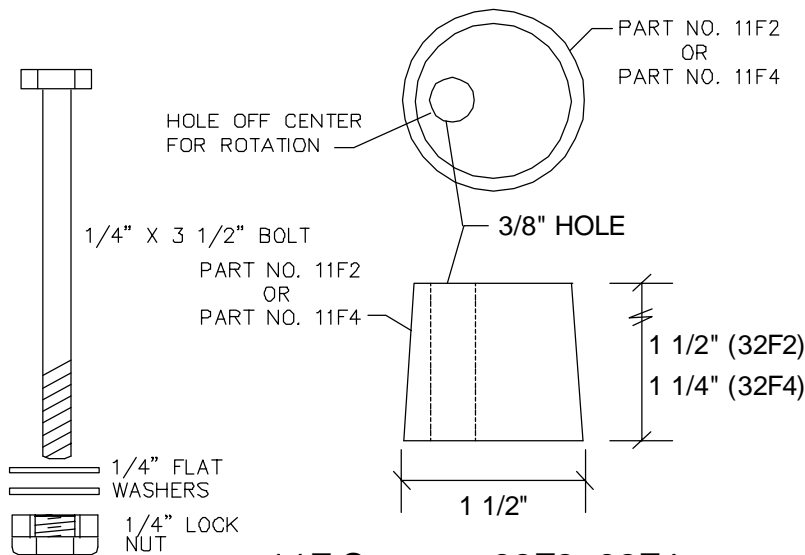


LPK LONG BOLT SET SUPPLIED HARDWARE

- (3) 3 1/2" X 1/4" CARRIAGE BOLTS
- CARRIAGE BOLTS
- (2) CLAMPING WASHERS
- (3) 1/4" LOCK NUTS

APPLY ANTI-SEIZE LUBRICANT TO ALL THREADED SURFACES.

LPK LONG BOLT SET



11F Spacer - 32F2, 32F4

NOTES:

1. RECOMMENDED FOR 4 AND 5 SECTION PLASTIC SIGNAL ARRANGEMENTS SUPPLIED WITH WITH (2) STIFFENER PLATES USE 32F2, OR WITH (4) STIFFENER PLATES USE 32F4.
2. SPECIFIC JOB SPECIFICATIONS MAY REQUIRE THEM ON ALL PLASTIC SIGNAL VEHICLE ARRANGEMENTS.

APPLY ANTI-SEIZE LUBRICANT TO ALL THREADED SURFACES.

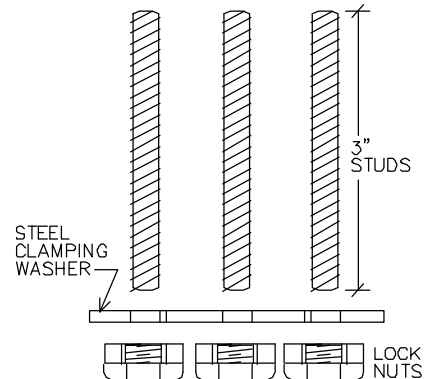
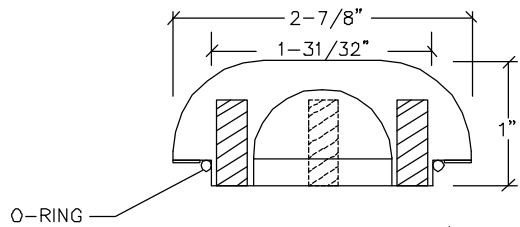
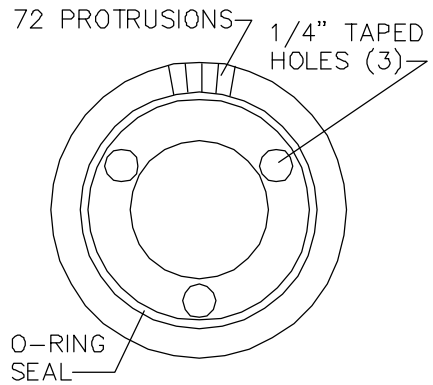
32F SIGNAL SUPPORT

NOT TO SCALE



**LPK - LONG BOLT SET, CAP - SEALED
CAP, 11F - SPACER**

HARDWARE MEETS OR EXCEEDS STATE SPECIFICATIONS



OPC OPEN PEDESTRIAN CAP SUPPLIED HARDWARE

- (1) 11CAP CASTING
- (1) 2" ID O-RING SEAL
- (3) 1/4" X 3" STUDS
- (1) CLAMPING WASHER
- (3) 1/4" LOCK NUTS

APPLY ANTI-SEIZE LUBRICANT TO ALL THREADED SURFACES.

CAP - SEALED CAP

FOR 32A OR 32B PLUMBIZER
SEE DWG. 1C AND DWG. 2

Spacer

WHEN TWO (2) SIGNAL STIFFENER PLATES ARE SUPPLIED WITH SIGNALS, USE 32F2 (11F2 SPACER PAIR).

WHEN FOUR (4) SIGNAL STIFFENER PLATES ARE SUPPLIED WITH SIGNALS, USE 32F4 (11F4 SPACER PAIR).

ALSO SEE DWG. 5A

DATE	DWG. NO.	REV.
1-22-18	5.3.0	-