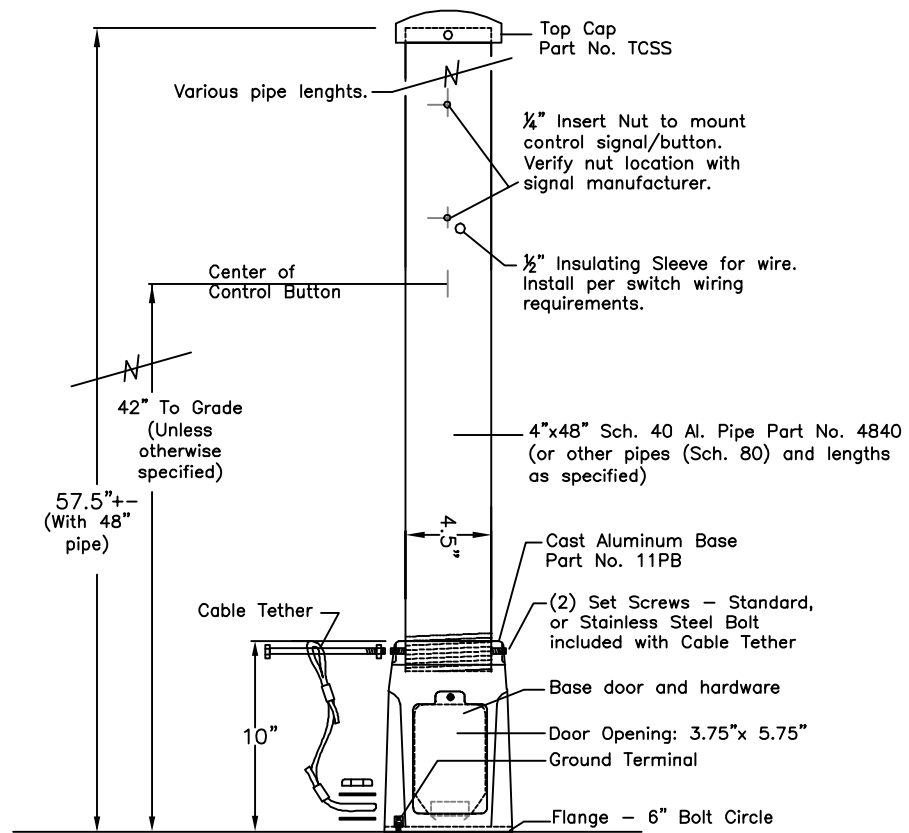


- NOTES:
1. APPLY ANTI-SEIZE LUBRICANT TO ALL THREADED SURFACES.
 2. CLEAR ANODIZED STANDARD FINISH UNLESS OTHERWISE SPECIFIED.

- CP6A (See "Finish") SIGNAL POLE BASE ASSEMBLY & ANCHORS INCLUDED PARTS:
- (1) 11PB ALUMINUM BASE
 - (1) 11PBC BASE COVER, & HARDWARE
 - (2) 3/8" SS SET SCREWS
 - (1) 25ABPK ANCHOR BOLT KIT: (4) 5/8"x7 1/2" SS FT BOLTS, 5/8" FLAT WASHERS & NUTS (Others available) (ANCHOR ADHESIVE AND ANY REQUIRED LEVELING SHIMS BY INSTALLER)
 - (1) 14-4 CU GROUND LUG
 - (1) 1/4" SS GROUND LUG BOLT



- 4840 - (See "Finish") ALUMINUM PIPE ASSEMBLY INCLUDED PARTS:
- (1) 48" SCHEDULE 40 ALUMINUM PIPE ONE END THREADED (Other pipes & lengths available)
 - (2) 1/4" INCH 20 SCHEDULE 40 PIPE (Install with a setting tool)
 - (1) 12IS 1/2" INSULATING SLEEVE

- TCSS (See "Finish") DOMED TOP CAP ASSEMBLY INCLUDED PARTS:
- (1) 11TCSS TOP CAP
 - (3) 1/4" SS SET SCREW

- CT CABLE TETHER INCLUDED PARTS:
- (1) 3/16" BOLT
 - (1) 18" WIRE CABLE ASSEMBLY
 - (1) 3/8" JAM NUT
 - (1) 5/16" LOCK WASHER & NUT
 - (2) 5/8" FLAT WASHER

BUILD CATALOG NUMBER FROM BELOW CP6 SERIES ASSEMBLIES

Signal pole base w/ 6" Bolt Circle, Cover - Anchors - Cable Tether - 48" Schedule 40 Aluminum Pipe - Top Cap w/Set Screws - Vandal Resistant - Finish

CP6	A	CT	4840	TCSS	V	(Blank) Clear Anodized standard
	Other styles of anchors available		"48" Represents inches of pipe, i.e. a 10' schedule 40 pipe would be 12040. Schedule 80 available.		Vandal resistant hardware option	NF (No Finish) (Other finishes & colors available, insert powder coat RAL number or Anodize number) See Note 2.

NOT TO SCALE HARDWARE MEETS OR EXCEEDS STATE SPECIFICATIONS



CP6 SERIES SIGNAL POLE

AASHTO MASH BREAKAWAY TESTED & FHWA ELIGIBLE FOR FEDERAL-AID REIMBURSEMENT PROGRAM

DATE	DWG. NO.	REV.
5-17-19	8.1.1	R2