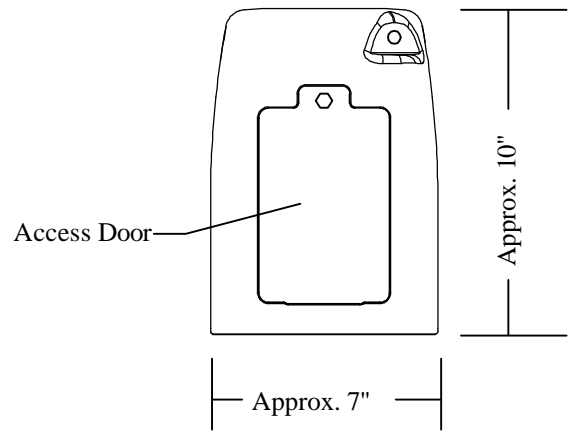
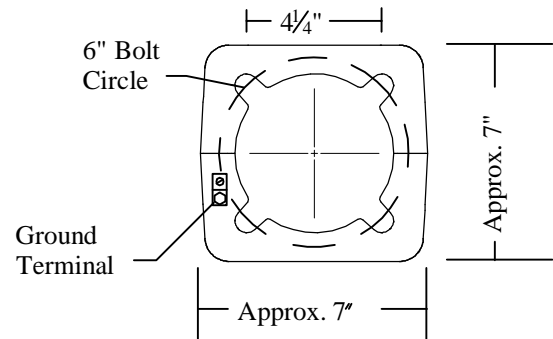


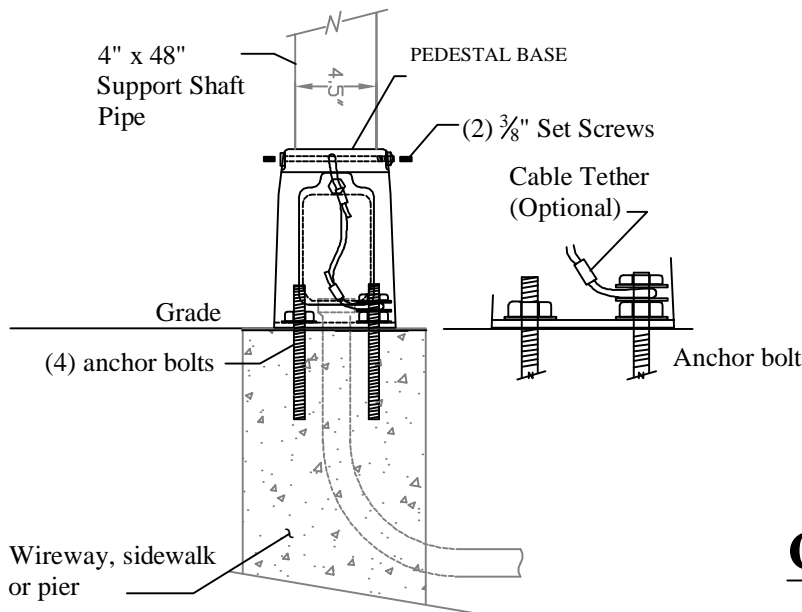
CROSSWALK PEDESTAL ASSEMBLY



BASE SIDE VIEW



BASE BOTTOM VIEW



BASE MOUNTING

Crosswalk Pedestal

NOT TO SCALE

HARDWARE MEETS OR EXCEEDS STATE SPECIFICATIONS

FREY
Manufacturing Corp.
www.FreyMfgCorp.com

Patent 9493918
Made in USA
Phone: 952-467-4402

CROSSWALK PEDESTAL
Generic Installation

DATE	DWG. NO.	REV.
11-30-17	8.3.0	-