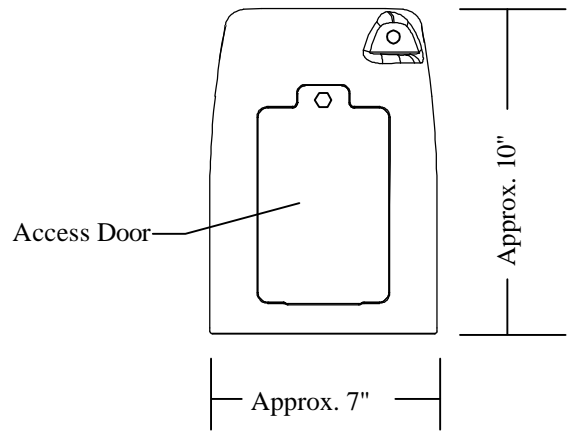
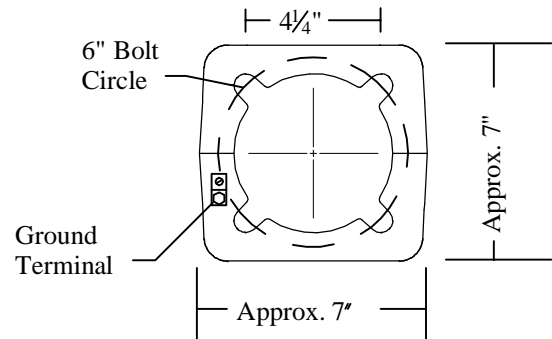


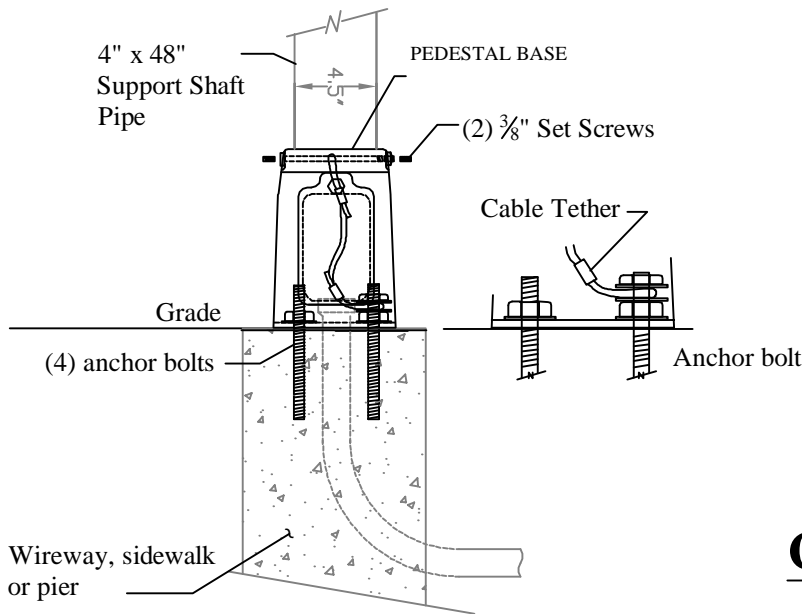
**CROSSWALK PEDESTAL ASSEMBLY**



**BASE SIDE VIEW**



**BASE BOTTOM VIEW**



**BASE MOUNTING**

## Crosswalk Pedestal

NOT TO SCALE

HARDWARE MEETS OR EXCEEDS STATE SPECIFICATIONS

**FREY**  
 Manufacturing Corp.  
 www.FreyMfgCorp.com  
 Made in USA  
 Patent 9493918  
 Phone: 952-467-4402

**CROSSWALK PEDESTAL**  
**Generic Installation**

DATE	DWG. NO.	REV.
06-30-20	<b>8.3.0</b>	<b>R1</b>