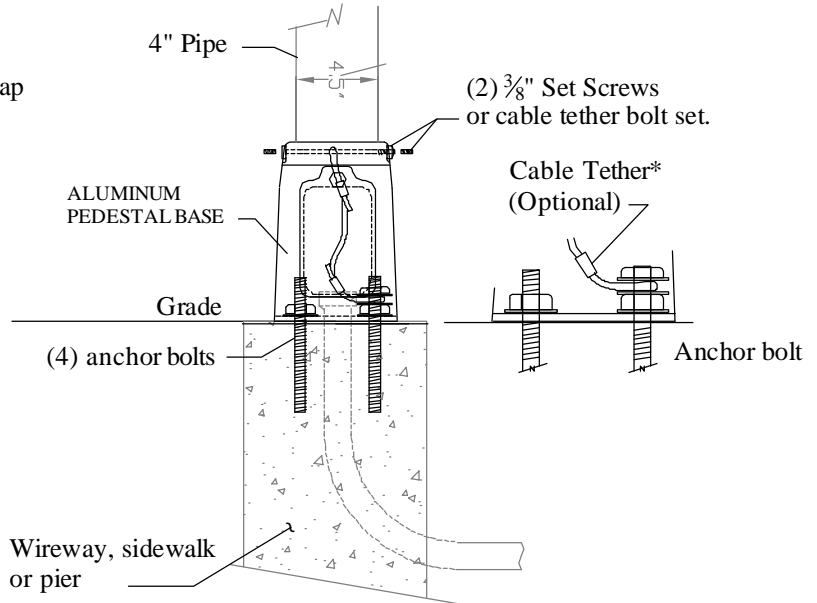
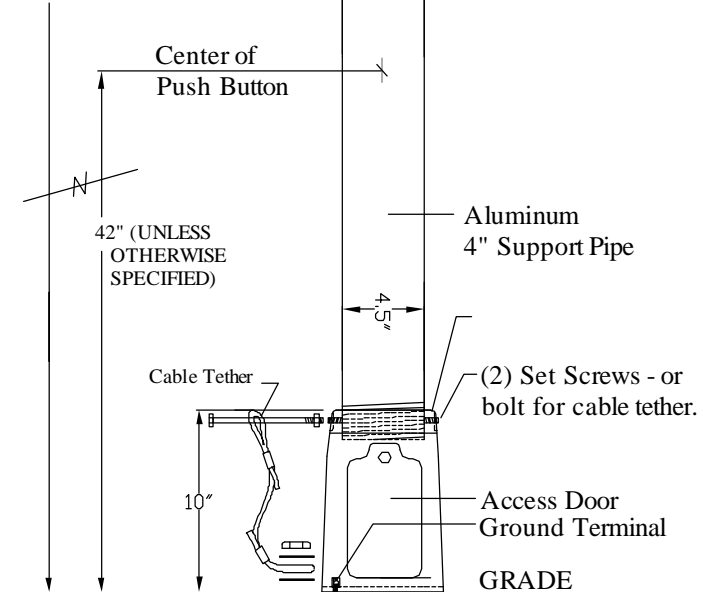


ETC.
 15' PIPE 15'-9½"± HIGH
 14' PIPE 14'-9½"± HIGH
 13' PIPE 13'-9½"± HIGH
 12' PIPE 12'-9½"± HIGH
 11' PIPE 11'-9½"± HIGH
 10' PIPE 10'-9½"± HIGH
 9' PIPE 9'-9½"± HIGH
 8' PIPE 8'-9½"± HIGH
 7' PIPE 7'-9½"± HIGH
 6' PIPE 6'-9½"± HIGH
 5' PIPE 5'-9½"± HIGH
 4' PIPE 4'-9½"± HIGH
 Pipe lengths can be cut to a specific length.

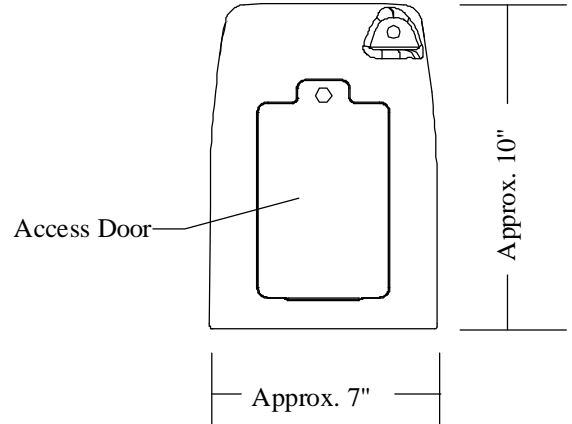


* Cable Tether (CT) recommended for assemblies 10' or less.

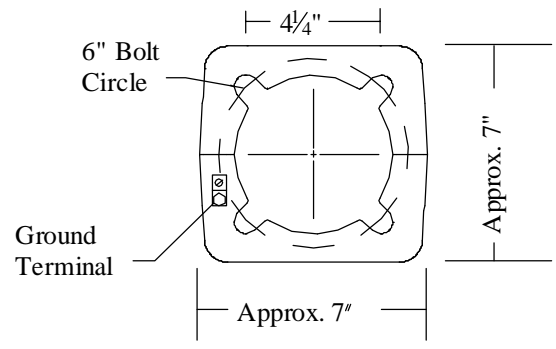
BASE MOUNTING



AASHTO MASH test video.



BASE SIDE VIEW



BASE BOTTOM VIEW

* Cable Tether (CT) recommended for assemblies 10' or less.

CROSSWALK - SIGNAL PEDESTAL ASSEMBLY

NOT TO SCALE

MATERIALS MEET OR EXCEED STATE SPECIFICATIONS

FREY
 Manufacturing Corp.
 www.FreyMfgCorp.com
 Made in USA - ISO 9001-2015 Certified
 Patent 9493918 Phone: 952-467-4402

CROSSWALK - SIGNAL PEDESTAL HEIGHTS
 FOR
 VARIOUS LENGTHS OF 4" PIPES
 CATALOG #: CP6SERIES

DATE	DWG. NO.	REV.
10-1-18	8.5.0	2