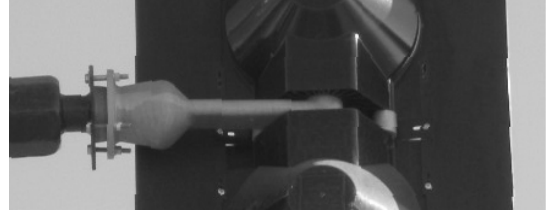


35E ELEVATOR PLUMBIZER SUPPLIED HARDWARE ASSEMBLY

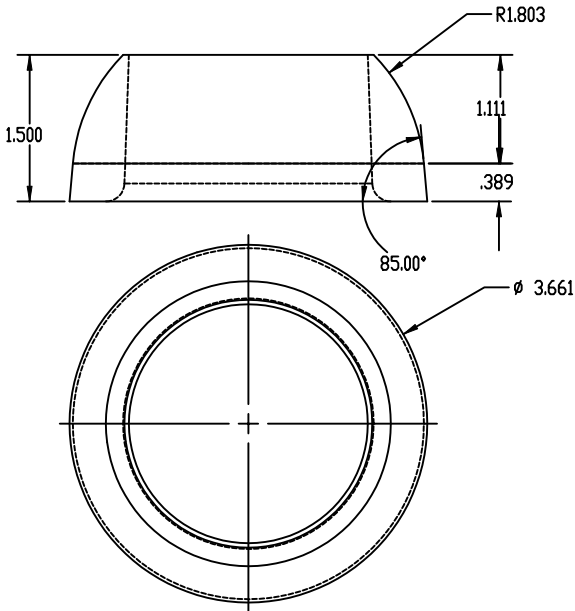
HARDWARE MEETS OR EXCEEDS Mn/DOT SPECIFICATIONS

- (1) 11E PLUMBIZER CASTING
 - (1) 11R BALL CASTING
 - (4) 3/8" X 2 1/2" BOLT
 - (8) 3/8" FLAT WASHER
 - (4) 3/8" SPRING LOCK WASHER
 - (4) 3/8" NUT
 - (2) 25PN 1 1/2" PIPE THREAD LOCK NUT
 - (2) 25MB 2" ID 10 Ga. MACHINE BUSHING (FLAT WASHER)
- APPLY ANTI-SEIZE LUBRICANT TO ALL THREADED SURFACES.

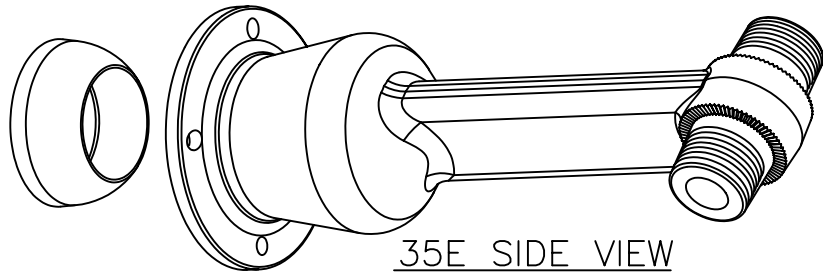


NOT INCLUDED

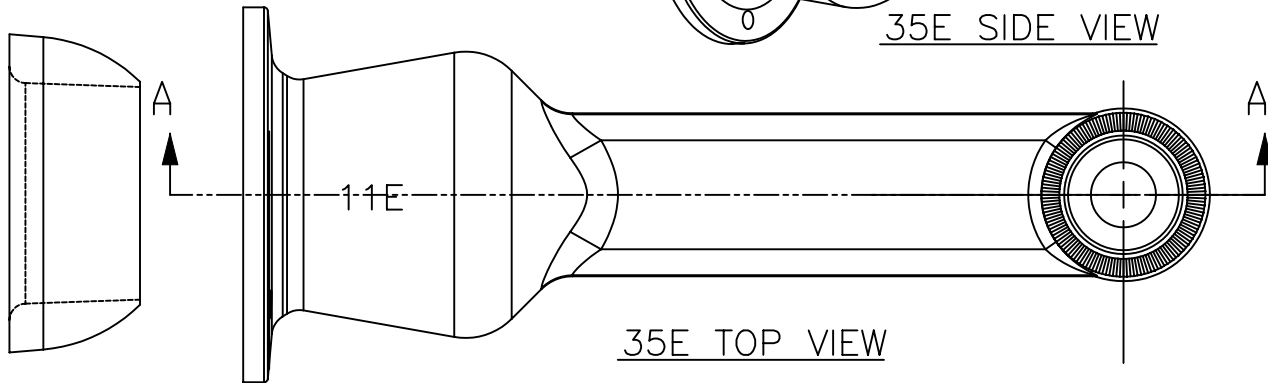
- (2) 11F SPACER REQUIRED FOR 4-5 SECTION PLASTIC SIGNALS, OR HORIZONTAL MOUNTING, (SEE DWG. 5A)
- (1) 15PC PEDESTRIAN CAP FOR PEDESTRIAN SIGNAL MOUNTING (SEE DWG. 9.1.0.)



11R BALL

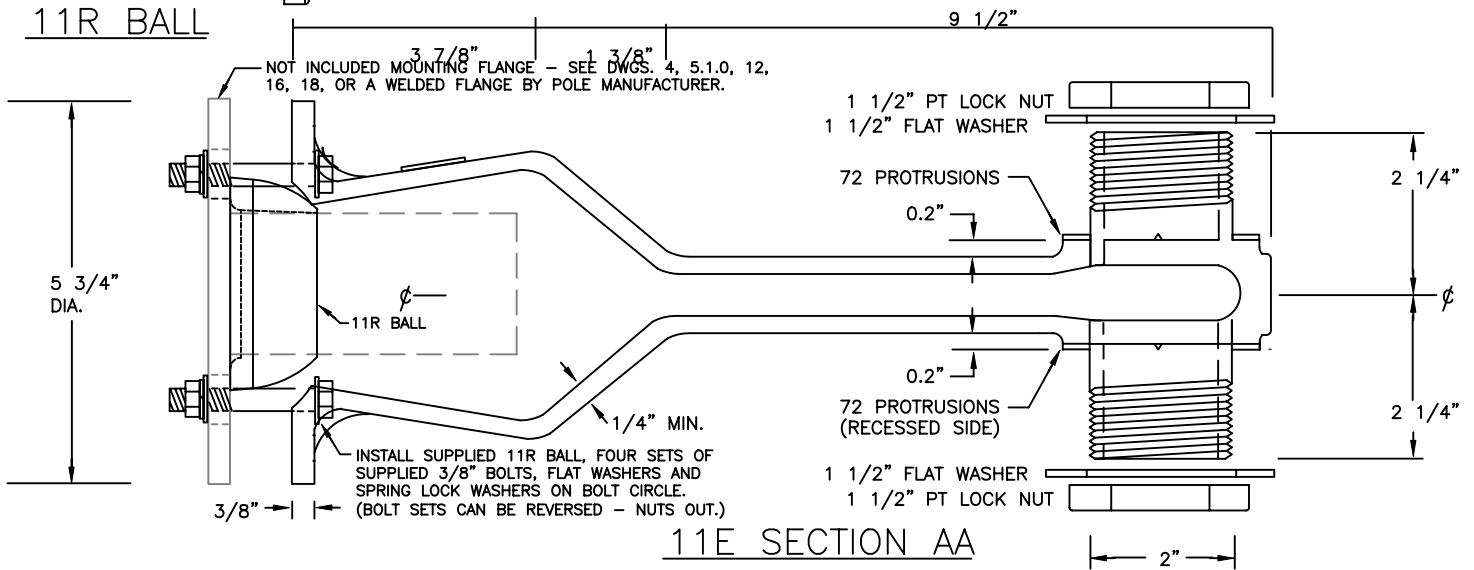


35E SIDE VIEW



35E TOP VIEW

11R BALL



11E SECTION AA

35E ELEVATOR PLUMBIZER ASSEMBLY

35E ELEVATOR PLUMBIZER

DATE
02-09-09

Frey Manufacturing Corporation
13150 STEWART AVE., NORWOOD, MN 55368-9675
VOICE/FAX 952-467-4402

DWG NO. **9.01** REV