

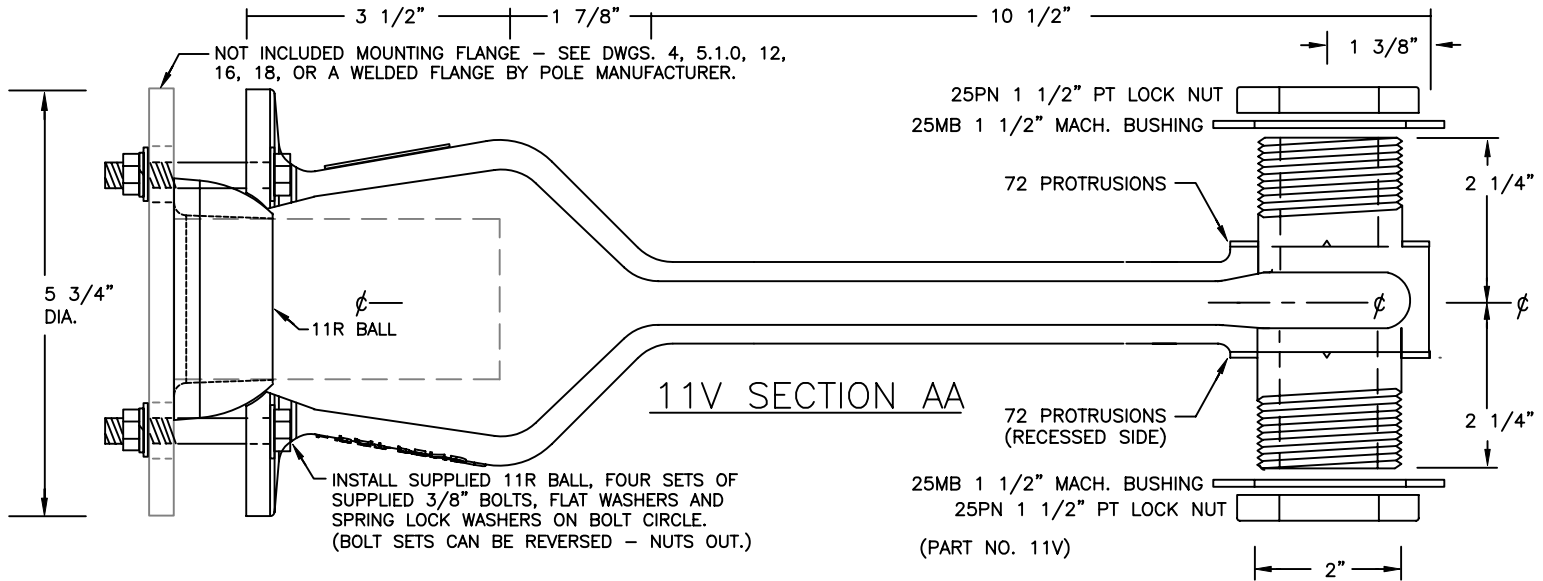
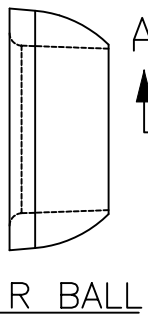
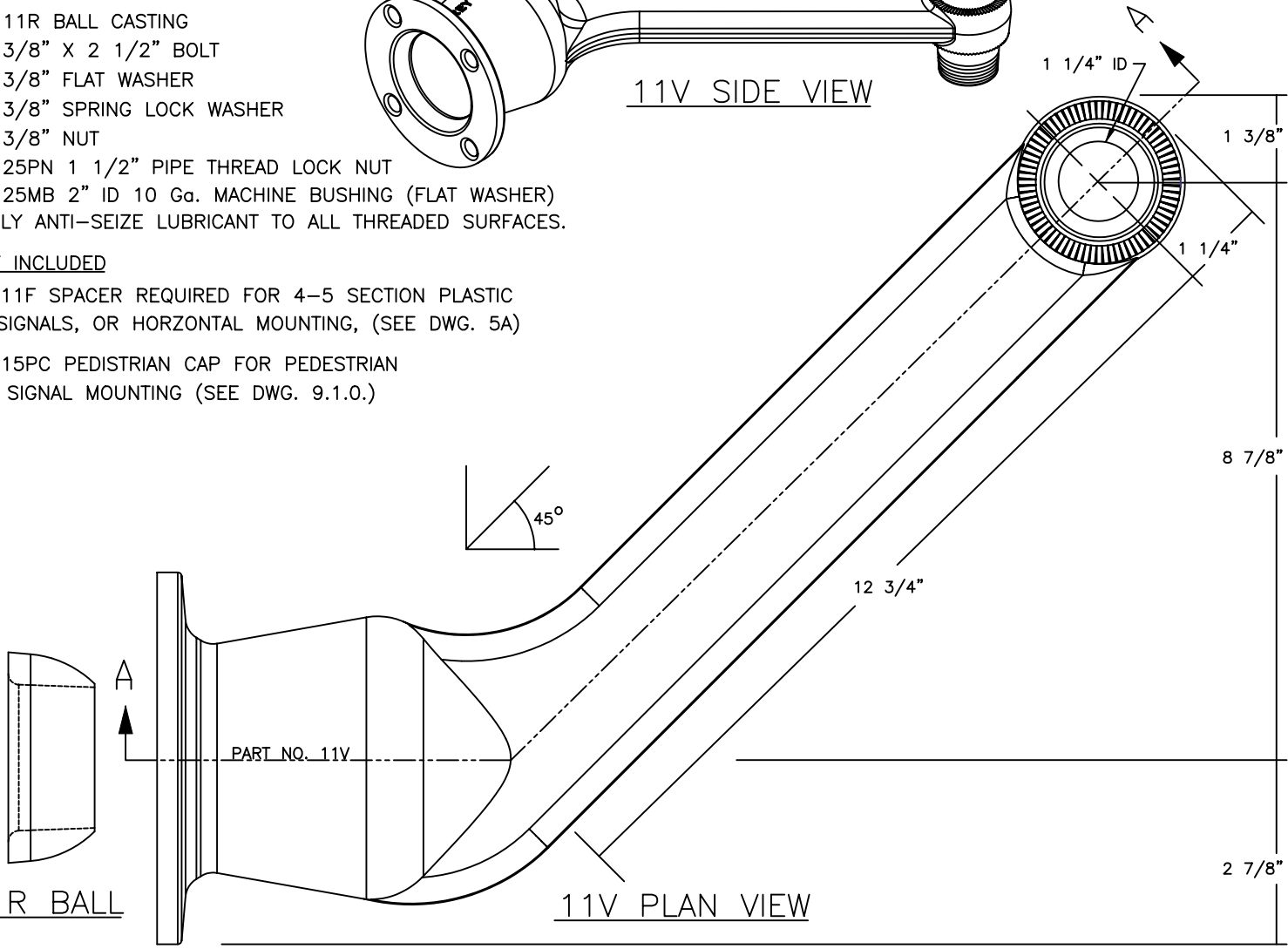
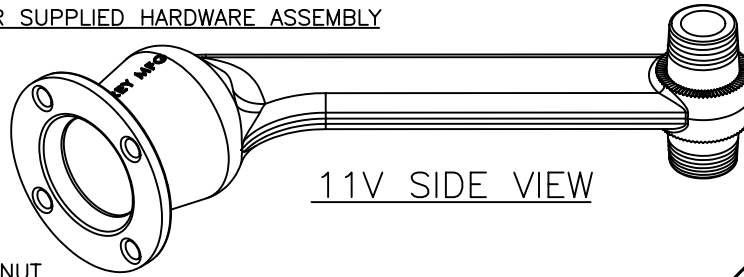
45V 45° ONE-WAY VEHICLE PLUMBIZER SUPPLIED HARDWARE ASSEMBLY

HARDWARE MEETS OR EXCEEDS Mn/DOT SPECIFICATIONS

- (1) 11V PLUMBIZER CASTING
 - (1) 11R BALL CASTING
 - (4) 3/8" X 2 1/2" BOLT
 - (8) 3/8" FLAT WASHER
 - (4) 3/8" SPRING LOCK WASHER
 - (4) 3/8" NUT
 - (2) 25PN 1 1/2" PIPE THREAD LOCK NUT
 - (2) 25MB 2" ID 10 Ga. MACHINE BUSHING (FLAT WASHER)
- APPLY ANTI-SEIZE LUBRICANT TO ALL THREADED SURFACES.

NOT INCLUDED

- (2) 11F SPACER REQUIRED FOR 4-5 SECTION PLASTIC SIGNALS, OR HORIZONTAL MOUNTING, (SEE DWG. 5A)
- (1) 15PC PEDESTRIAN CAP FOR PEDESTRIAN SIGNAL MOUNTING (SEE DWG. 9.1.0.)



45V - 45° ONE-WAY VEHICLE PLUMBIZER ASSEMBLY

45V 45° ONE-WAY VEHICLE PLUMBIZER

<p>DATE 02-09-09</p>	<p>Frey Manufacturing Corporation 13150 STEWART AVE., NORWOOD, MN 55368-9675 VOICE/FAX 952-467-4402</p>	<p>DWG NO. 9.02</p>	<p>REV</p>
--------------------------	---	--------------------------------	------------