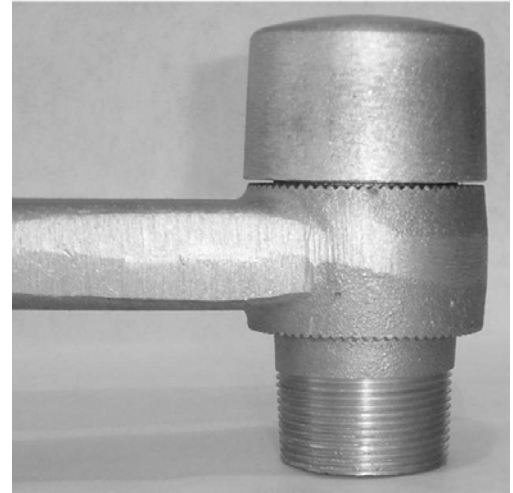


15PC PEDESTRIAN CAP SUPPLIED HARDWARE

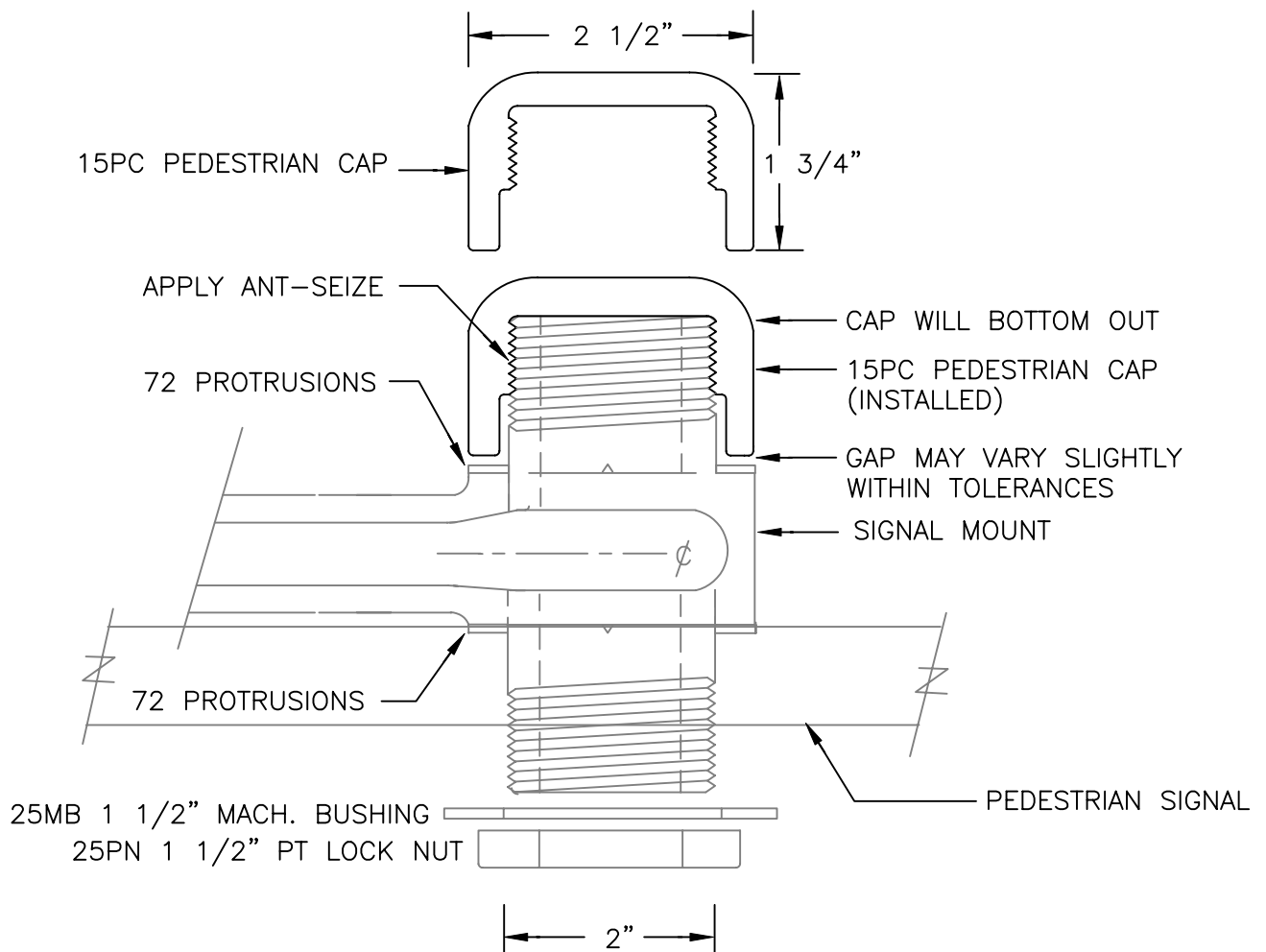
(1) 15PC PEDESTRIAN CAP ALUMINUM CASTING

NOTE

APPLY ANTI-SEIZE COMPOUND ON ALL THREADS.
 CAP TOP WILL BOTTOM OUT, OVER-TIGHTENING MAY
 DAMAGE THREADS. THE CAP IS NOT DESIGNED TO STOP
 ON, OR DAMAGE THE PLUMBIZER PROTRUSIONS.



INSTALLED 11PC PEDISTRIAN CAP



PEDESTRIAN CAP

FMC Cat. No. 15PC

15PC PEDESTRIAN CAP

<p>DATE 2-09-09</p>	<p>Frey Manufacturing Corporation 13150 STEWART AVE., NORWOOD, MN 55368-9675 VOICE/FAX 952-467-4402</p>	<p>DWG NO. REV 9.1.0</p>
-------------------------	--	-------------------------------------