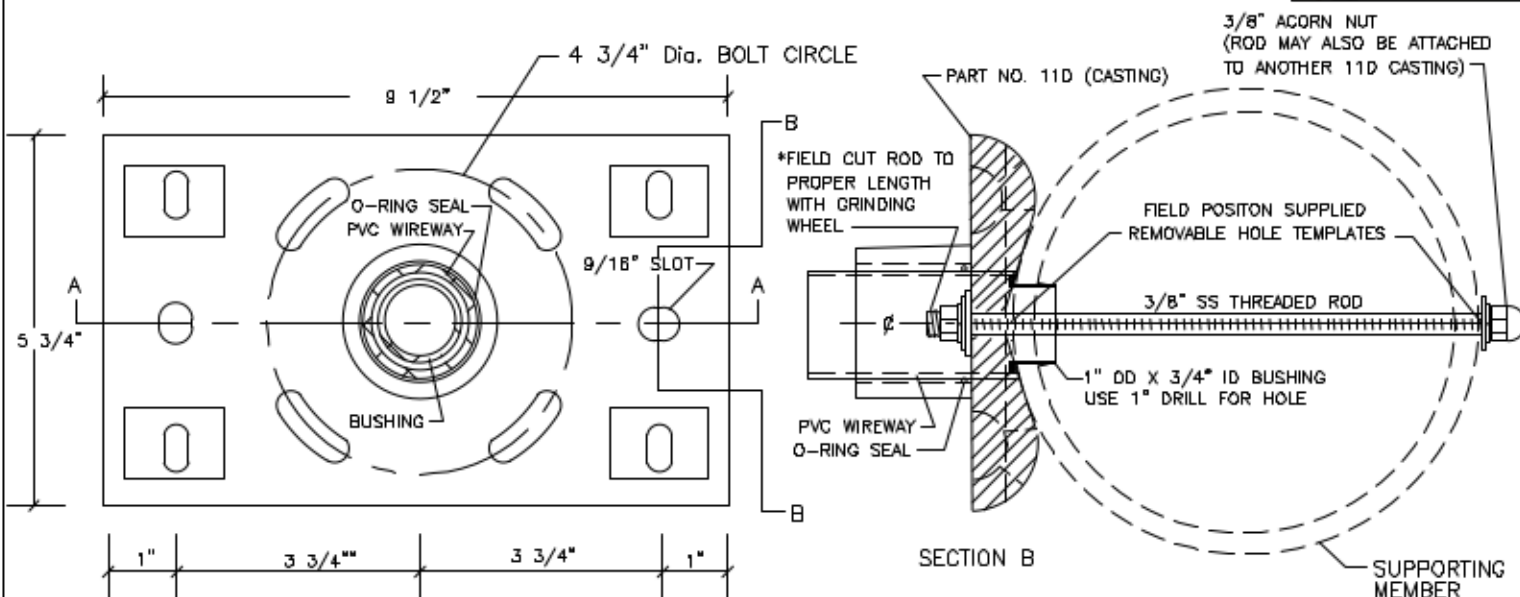




THRU-BOLT ADAPTER SHOWN BACK-TO-BACK



THRU-BOLT ADAPTER FOR POLE OR MAST ARM



32DR SUPPLIED HARDWARE

HARDWARE MEETS OR EXCEEDS M/V/DOT SPECIFICATIONS

- (1) 11D UNIVERSAL HUB ALUMINUM CASTING
- (1) WIREWAY BUSHING
- (1) 1 1/4" PVC WIREWAY TUBE
- (1) O-RING SEAL
- (2) 3/8" THREADED ROD*
- (2) 3/8" ACORN NUT
- (2) 3/8" NUT
- (4) 3/8" FLAT WASHER
- (2) 1/2" FLAT WASHER
- (4) 3/8" SPRING LOCK WASHER
- (2) REMOVABLE HOLE TEMPLATES (FRONT & BACK)

APPLY ANTI-SEIZE LUBRICANT TO ALL THREADED SURFACES.

***NOTE:**

FIELD CUT THRU BOLT LENGTH. TIGHTEN ACORN NUT WITHIN 1/2 TURN OF BOTTOMING OUT, TIGHTEN 3/8" HEX NUT THEN FINAL TIGHTEN ACORN NUT. WHEEL CUT EXTRA ROD. (CAT. #32DR18). USE 18" ROD FOR UP TO 15" DIAMETER SUPPORTING MEMBER. OTHER ROD LENGTHS AVAILABLE. CONTINUOUS THREADED ROD CAN BE CUSTOM ORDERED UP TO 12 FEET LONG BY SPECIFYING THE NUMBER OF INCHES IN THE CATALOG NUMBER i.e. 32DRXXX WHERE XXX IS THE NUMBER OF INCHES REQUIRED.



CAT. # 32DR
(ALSO SEE DWG. 16)

32DR THRU BOLT ADAPTER

DATE

04-14-16

Frey Manufacturing Corporation

13150 STEWART AVE., NORWOOD, MN 55368-9675
Phone: 952-467-4402 Website: www.FreyMfgCorp.com

DWG NO.

12

REV

2