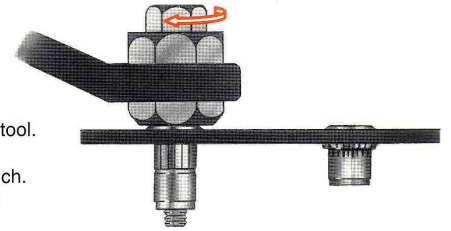


**32UB40 UNIVERSAL HUB BOLTED SCH 40 SUPPLIED HARDWARE**  
HARDWARE MEETS OR EXCEEDS Mn/DOT SPECIFICATIONS

- (1) 11D UNIVERSAL HUB ALUMINUM CASTING
- (1) 1" X 3/4" BUSHING
- (1) 1 1/4" X 2" PVC WIREWAY
- (1) 1 1/4" O RING SEAL
- (2) 3/8" X 2" BOLT\*
- (2) 3/8" SPRING LOCK WASHER\*
- (2) 3/8" FLAT WASHER\*
- (2) HARDENED STEEL CAPTIVE FASTENER\*

**\* NOTES:**

- 1. Mn/DOT REQUIRES A COMPATIBLE SETTING TOOL BE USED TO SET THE CAPTIVE INSERT NUTS.
- 2. FOR USE ON A SCHEDULE 40 SUPPORT MEMBER. SCHEDULE 80 SUPPORT MUST USE 32UB UNIVERSAL HUB KIT.
- 3. APPLY ANTI-SEIZE LUBRICANT TO ALL THREADED SURFACES.



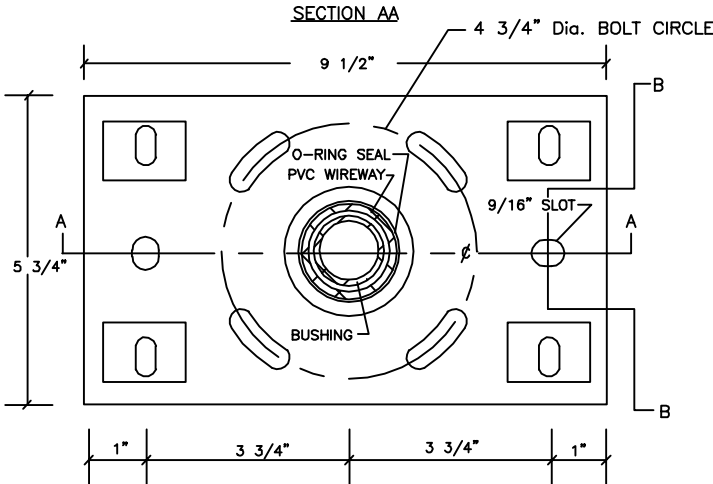
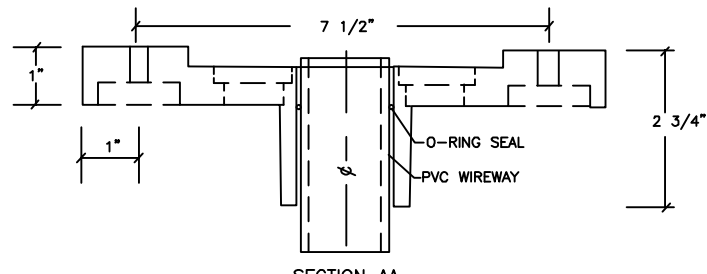
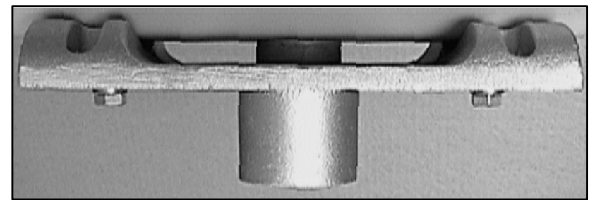
**INSTALLATION:**

- ◆ Thread insert onto tool.
- ◆ Place into hole.
- ◆ Hold tool with wrench.
- ◆ Tighten screw until insert installs.

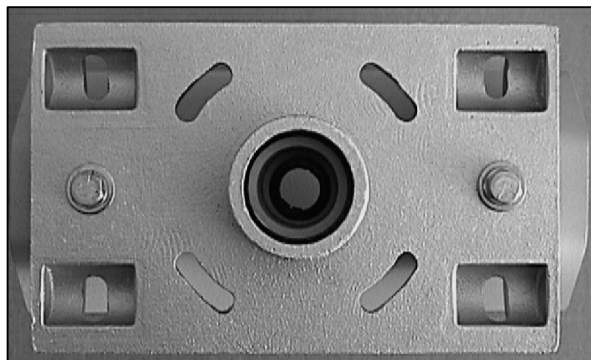
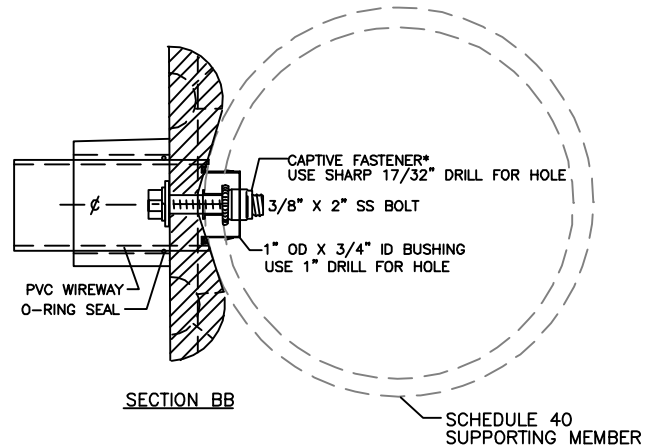
**WRENCH TOOL WT3/8**

A COMPATIBLE TOOL REQUIRED FOR SETTING CAPTIVE INSERT NUTS (SOLD SEPARATELY)

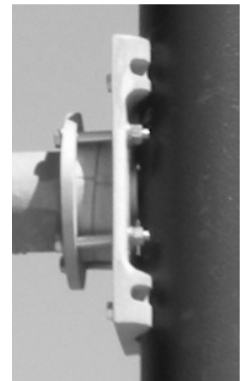
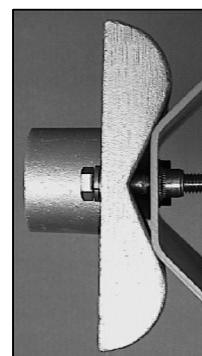
**HARDWARE FOR SCHEDULE 40 PIPE**



**11D UNIVERSAL HUB CASTING**



NOT TO SCALE



**32UB40 UNIVERSAL HUB - BOLTED SCH 40**

REVESED DWG.  
9-14-012

**Frey Manufacturing Corporation**  
 13150 STEWART AVE., NORWOOD, MN 55368-9675  
 VOICE/FAX 952-467-4402

DWG NO.  
**16**

REV  
**2**