

UP TO 5' MAST ARM EXTENSION

CAT. NO. 35E3C48FB MAST ARM EXTENSION WITH ELEVATOR PLUMBIZER
CAT. NO. 45V3C48FB MAST ARM EXTENSION WITH 45° PLUMBIZER



MAST ARM EXTENSION SUPPLIED HARDWARE
HARDWARE MEETS OR EXCEEDS M/DT SPECIFICATIONS

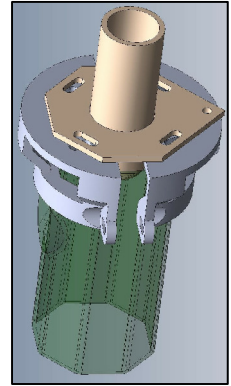
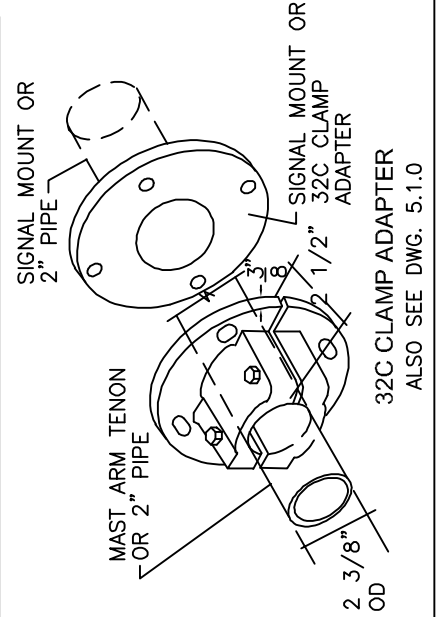
CAT. NO. 35E3C48FB MAST ARM EXTENSION WITH ELEVATOR PLUMBIZER
CAT. NO. 45V3C48FB MAST ARM EXTENSION WITH 45° PLUMBIZER

- (1) PLUMBIZER - (35E STRAIGHT DWG. 9.01) OR (45V° ANGLE DWG. 9.02)
- (1) 32FB FLANGE BRACE - SEE DWG. 5.2.0
- (3) 32C CLAMP ADAPTERS - SEE DWG. 5.1.0
- (1) 48" SCHEDULE 40 ALUMINUM PIPE*
- (1) C TO C PARTS KIT:
 - (4) 3/8" X 1 1/2" BOLT
 - (2) 3/8" SPRING LOCK WASHER
 - (2) 3/8" NUT

APPLY ANTI-SEIZE LUBRICANT TO ALL THREADED SURFACES.

*NOTE:

- 1. PIPE MAY ALSO BE FIELD CUT TO LENGTH. 5' EXTENSION IS THE MAXIMUM ALLOWED.
- 2. DO NOT DRILL HOLES OR WELD ON PIPE.



32FB FLANGE BRACE
ALSO SEE DWG. 5.2.0

MAST ARM EXTENSION

DATE
05-15-13

Frey Manufacturing Corporation
13150 STEWART AVE., NORWOOD, MN 55368-9675
VOICE/FAX 952-467-4402

DWG NO.	REV
17	4