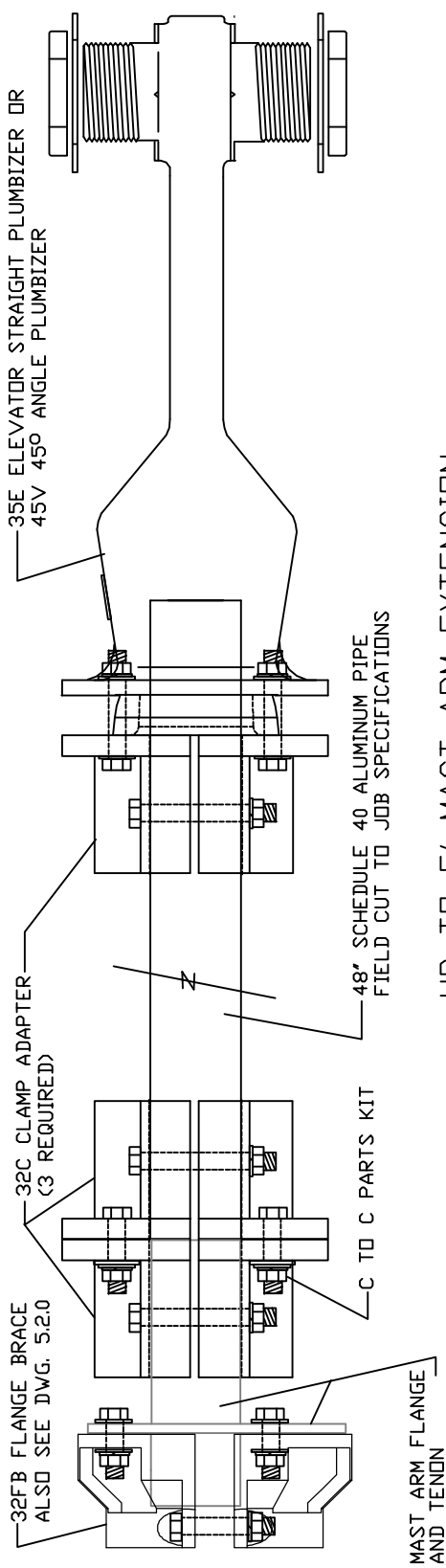
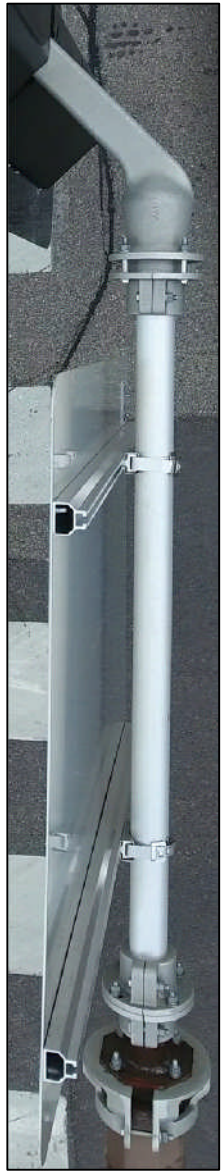
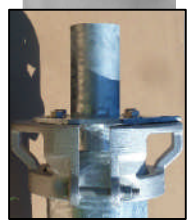


NOT TO SCALE



**UP TO 5' MAST ARM EXTENSION**

CAT. NO. 35E3C48FB MAST ARM EXTENSION WITH ELEVATOR PLUMBIZER  
 CAT. NO. 45V3C48FB MAST ARM EXTENSION WITH 45° PLUMBIZER



**MAST ARM EXTENSION SUPPLIED HARDWARE**  
 HARDWARE MEETS OR EXCEEDS STATE SPECIFICATIONS

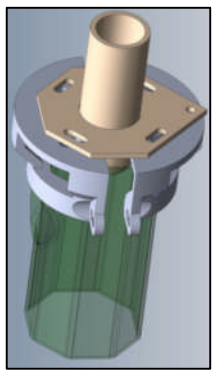
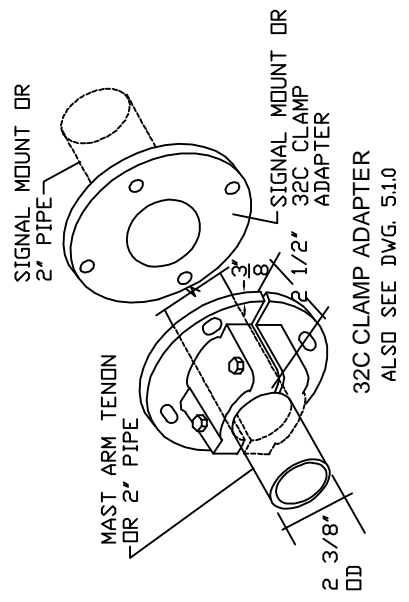
CAT. NO. 35E3C48FB MAST ARM EXTENSION WITH ELEVATOR PLUMBIZER  
 CAT. NO. 45V3C48FB MAST ARM EXTENSION WITH 45° PLUMBIZER

- (1) PLUMBIZER - (35E STRAIGHT DWG. 9.01) OR (45V° ANGLE DWG. 9.02)
- (1) 32FB FLANGE BRACE - SEE DWG. 5.2.0
- (3) 32C CLAMP ADAPTERS - SEE DWG. 5.1.0
- (1) 48" SCHEDULE 40 ALUMINUM PIPE\*
- (1) C TO C PARTS KIT:
  - (4) 3/8" X 1 1/2" BOLT
  - (2) 3/8" SPRING LOCK WASHER
  - (2) 3/8" NUT

APPLY ANTI-SEIZE LUBRICANT TO ALL THREADED SURFACES.

**\*NOTE:**

- 1. PIPE MAY ALSO BE FIELD CUT TO LENGTH.
- 5' EXTENSION IS THE MAXIMUM ALLOWED.
- 2. DO NOT DRILL HOLES OR WELD ON PIPE.



32FB FLANGE BRACE  
 ALSO SEE DWG. 5.2.0

**MAST ARM EXTENSION ASSEMBLY  
 STRAIGHT OR ANGLE PLUMBIZER  
 FOR 2" TENON UP TO 5' EXTENSION**

DATE	DWG. NO.	REV.
05-15-13	<b>17.1.0</b>	<b>4</b>