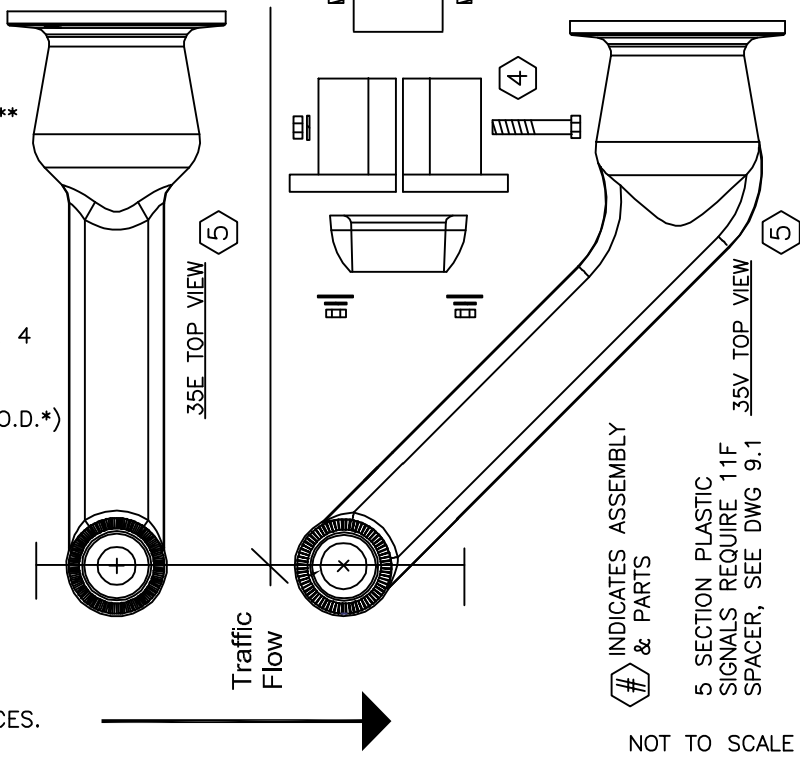


ASSEMBLY WITH 45V PLUMBIZER STRAP ON 5' MAST ARM EXTENSION: **45VC58ALPFD**

ASSEMBLY WITH 35E PLUMBIZER STRAP ON 5' MAST ARM EXTENSION: **35EC58ALPFD**

STRAP ON MAST ARM EXTENSION PARTS LIST

- (1) 35E OR 45V SUPPLIED HARDWARE ASSEMBLY DWG 9.1
- (5) (1) 11E OR 11V PLUMBIZER CASTING
- (1) 11R ADJUSTING BALL CASTING
- (4) 3/8" X 2 1/2" BOLT
- (8) 3/8" FLAT WASHER
- (4) 3/8" SPRING LOCK WASHER
- (4) 3/8" GALVANIZED HEX NUT
- (2) 25PN 1 1/2" PIPE THREAD LOCK NUT
- (2) 25MB 2" ID 10 Ga. FLAT WASHER
- (1) 32C CLAMP ADAPTER ASSEMBLY DWG. 5.1.0
- (4) (1) 11C CLAMP ADAPTER CASTING (TWO HALVES)
- (2) 3/8" X 2" BOLTS
- (2) 3/8" SPRING LOCK WASHERS
- (2) 3/8" GALVANIZED HEX NUT
- (1) 2" X 58" SCHEDULE 40 ALUMINUM PIPE (2 3/8" O.D.)**
- (3) (1) 1/2" INSULATING SLEEVE
- (1) 3/4" INSULATING BUSHING
- (1) 63PF PIPE FETTER ASSEMBLY
- (2) (4) 3/8" X 1 1/2" BOLTS
- (8) 3/8" FLAT WASHERS
- (4) 3/8" SPRING LOCK WASHERS
- (4) 3/8" GALVANIZED HEX NUT
- (1) 32DF40 FLAT STRAP ADAPTER ASSEMBLY, ALSO DWG. 4
- (1) 11DF FLAT UNIVERSAL HUB CASTING
- (4) 11RW ROCKING WASHER CASTINGS
- (2) 25G 40"STRAP (UP TO 44" DIAMETER OR 14" O.D.*)
- (4) 25TB 5/16" X 2 1/2" "T" BOLTS
- (4) 5/16" FLAT WASHERS
- (6) 5/16" SPRING LOCK WASHERS, (2) FOR STRAPS
- (4) 5/16" NUT
- (2) 5/16" X 3/4" LOCKING BOLT (FOR STRAPS)
- (4) 1/4" X 3/4" TRUSS HEAD BOLTS
- (4) 1/4" FLAT WASHERS
- (4) 1/4" SPRING WASHERS
- (4) 1/4" NUT



APPLY ANTI-SIEZE LUBRICANT ON ALL THREADED SURFACES.

INDICATES ASSEMBLY & PARTS

5 SECTION PLASTIC SIGNALS REQUIRE 11F SPACER, SEE DWG 9.1

NOT TO SCALE

STRAP ON 5' MAST ARM EXTENSION

DATE 3-11-15	Frey Manufacturing Corporation 13150 STEWART AVE., NORWOOD, MN 55368-9675 VOICE: 952-467-4402	DWG NO. 17.2.0	REV. -
-----------------	-----------------------------------------------------------------------------------------------------	-------------------	-----------