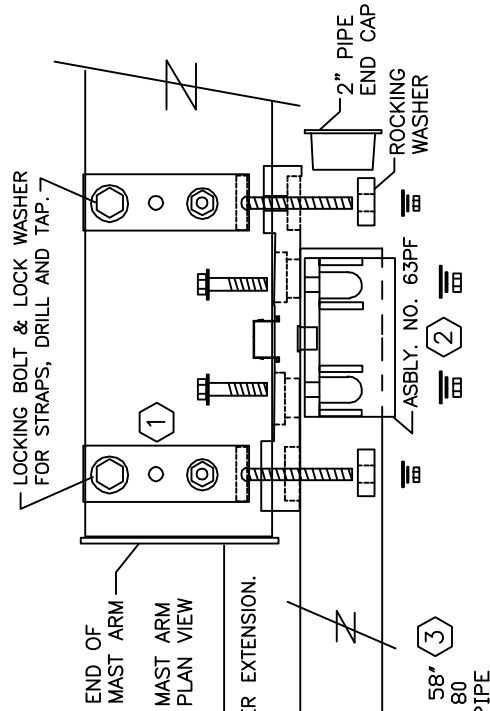


NOTE: MAY BE STRAPPED
BESIDE (AS SHOWN), OR ON
TOP OF MAST ARM.



ASSEMBLY WITH 45V ANGLE PLUMBIZER STRAP ON 5' MAST ARM
EXTENSION: **45VC56ALPFD*****

ASSEMBLY WITH 35E STRAIGHT PLUMBIZER STRAP ON 5' MAST ARM
EXTENSION: **35EC56ALPFD*****

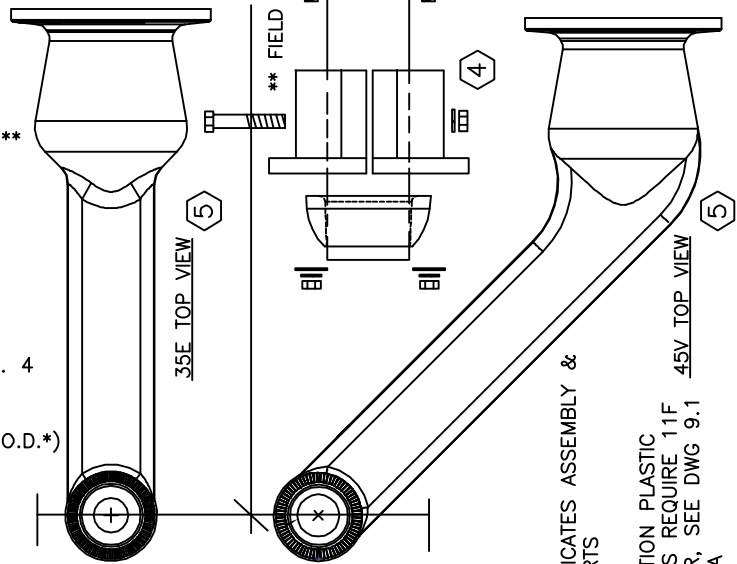
*** FINISHES/COLORS AVAILABLE SEE PRICE SHEET,
i.e. ADD "-K" FOR BLACK FINISH.

STRAP ON MAST ARM EXTENSION PARTS LIST

HARDWARE MEETS OR EXCEEDS STATE SPECIFICATIONS

(1) 35E OR 45V SUPPLIED HARDWARE ASSEMBLY DWG 9.1

- (1) 11E OR 11V PLUMBIZER CASTING
- (1) 11R ADJUSTING BALL CASTING
- (4) 3/8" X 2 1/2" BOLT
- (8) 3/8" FLAT WASHER
- (4) 3/8" SPRING LOCK WASHER
- (4) 3/8" GALVANIZED HEX NUT
- (2) 25PN 1 1/2" PIPE THREAD LOCK NUT
- (2) 25MB 2" ID 10 Ga. FLAT WASHER
- (1) 32C CLAMP ADAPTER ASSEMBLY DWG. 5.1.0
- (1) 11C CLAMP ADAPTER CASTING (TWO HALVES)
- (2) 3/8" X 2 1/4" BOLTS
- (2) 3/8" SPRING LOCK WASHERS
- (2) 3/8" GALVANIZED HEX NUT
- (1) 2" X 58" SCHEDULE 80 ALUMINUM PIPE (2 3/8" O.D.)**
- (1) 1/2" INSULATING SLEEVE
- (1) 3/4" INSULATING BUSHING
- (1) 2" PIPE END CAP
- (1) 63PF PIPE FETTER ASSEMBLY
- (4) 3/8" X 1 1/2" BOLTS
- (8) 3/8" FLAT WASHERS
- (4) 3/8" SPRING LOCK WASHERS
- (4) 3/8" GALVANIZED HEX NUT
- (1) 32DF40 FLAT STRAP ADAPTER ASSEMBLY, ALSO DWG. 4
- (1) 11DF FLAT UNIVERSAL HUB CASTING
- (4) 11RW ROCKING WASHER CASTINGS
- (2) 25G 40" STRAP (UP TO 44" DIAMETER OR 14" O.D.*)
- (4) 25TB 5/16" X 2 1/2" T" BOLTS
- (4) 5/16" FLAT WASHERS
- (6) 5/16" SPRING LOCK WASHERS, (2) FOR STRAPS
- (4) 3/4" NUT
- (2) 5/16" X 3/4" LOCKING BOLT (FOR STRAPS)
- (4) 1/2" X 3/4" TRUSS HEAD BOLTS
- (4) 1/4" FLAT WASHERS
- (4) 1/4" SPRING WASHERS
- (4) 1/4" NUT



INDICATES ASSEMBLY &
PARTS

5 SECTION PLASTIC
SIGNALS REQUIRE 11F
SPACER, SEE DWG 9.1
AND 5A

* SEE DWG 12 FOR OTHER OPTIONS TO
MOUNT ON A LARGER DIAMETER MAST ARM.

** VARIOUS PIPE LENGTHS ARE AVAILABLE, OR
PIPE CAN BE FIELD CUT IF TOO LONG.

APPLY ANTI-SIEZE LUBRICANT ON ALL THREADED SURFACES.
SUGGEST PULLING WIRE OR CABLE THRU PIPE PRIOR TO
ATTACHING PIPE FETTER.

NOT TO SCALE

FREY
Manufacturing Corp.
www.FreyMfgCorp.com

Patent Pending Made in USA
Phone: 952-467-4402

**STRAP ON ONE-WAY 5' MAST ARM EXTENSION
STRAIGHT OR ANGLE PLUMBIZER**

DATE
8-12-16

DWG. NO.

17.2.0

REV.

1