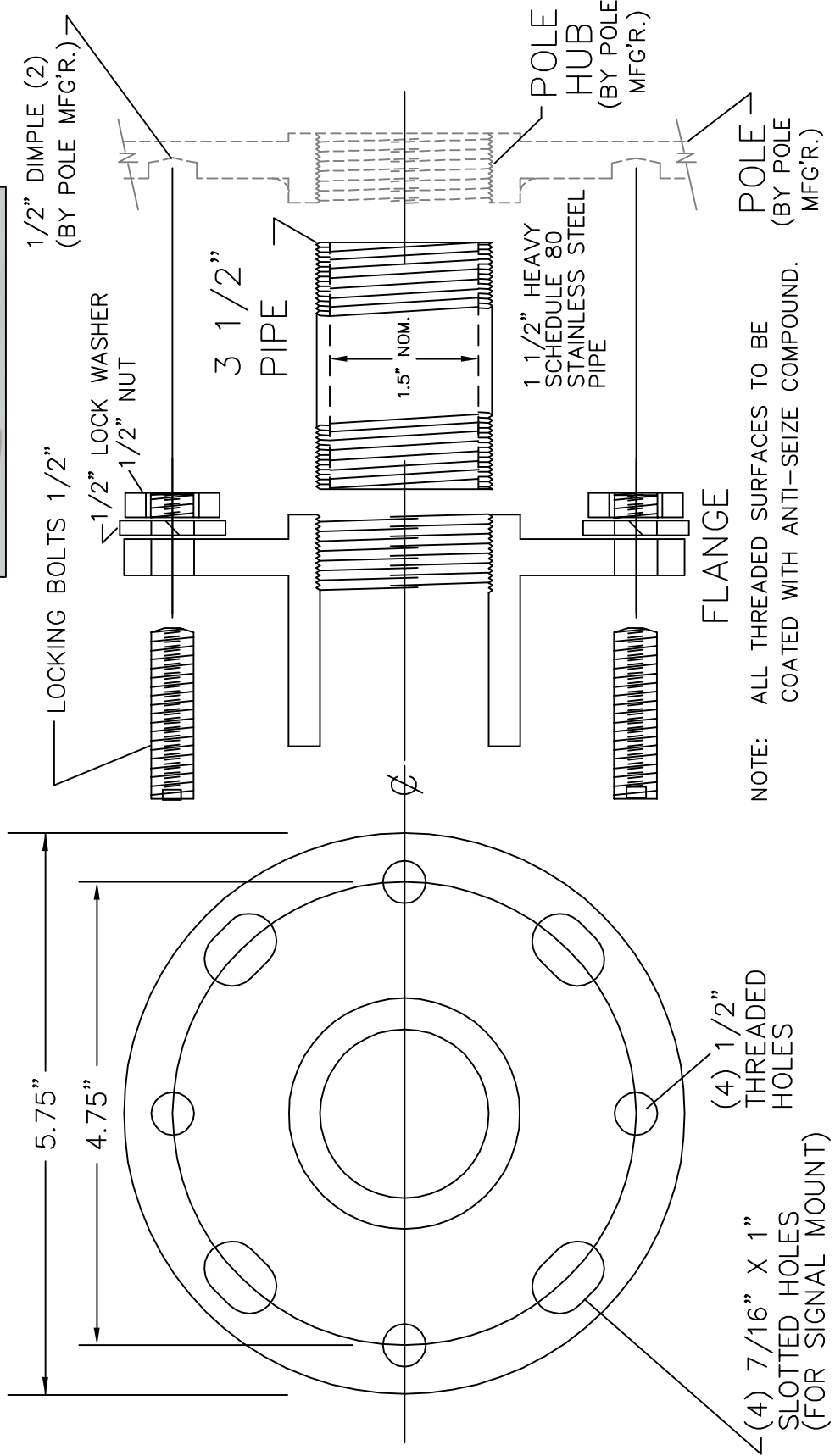




45BE EXTENDED THREADED POLE ADAPTER SUPPLIED HARDWARE
 HARDWARE MEETS OR EXCEEDS Mn/DOT SPECIFICATIONS

- (1) 45B THREADED POLE ADAPTER ALUMINUM CASTING
- (1) 1 1/2" X 3 1/2" NPT SCH. 80 HD STAINLESS STEEL PIPE
- (2) 1/2" BOLT
- (2) 1/2" SPRING LOCK WASHER
- (2) 1/2" NUT

APPLY ANTI-SEIZE LUBRICANT TO ALL THREADED SURFACES.



NOTE: ALL THREADED SURFACES TO BE
 COATED WITH ANTI-SEIZE COMPOUND.

45BE EXTENDED THREADED POLE ADAPTER

45BE EXTENDED THREADED POLE ADAPTER

DATE 04-11-13	Frey Manufacturing Corporation 13150 STEWART AVE., NORWOOD, MN 55368-9675 VOICE/FAX 952-467-4402	DWG NO. 18.1	REV -
------------------	--	------------------------	----------