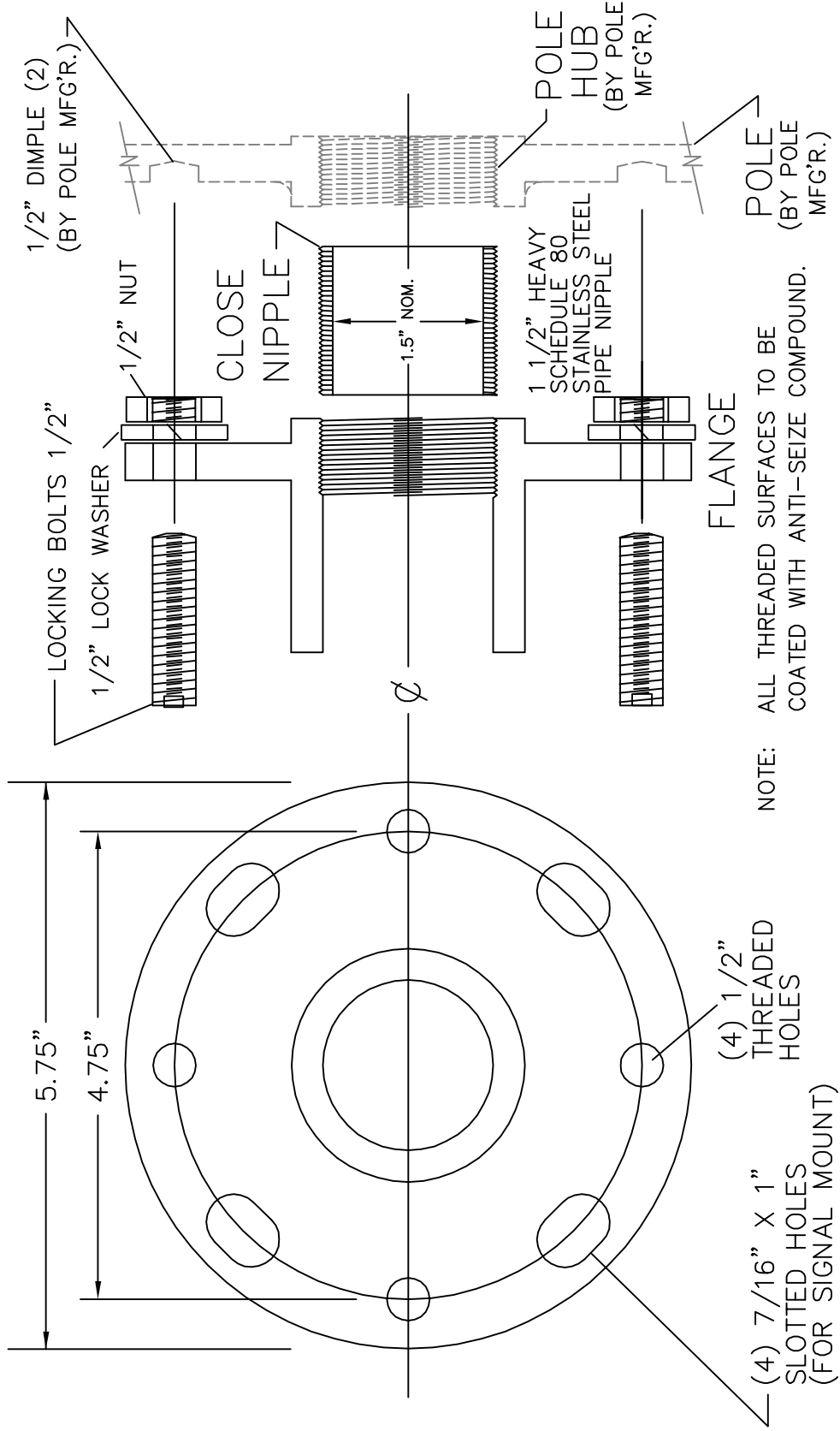


45B THREADED POLE ADAPTER SUPPLIED HARDWARE
 HARDWARE MEETS OR EXCEEDS Mn/DOT SPECIFICATIONS

- (1) 45B THREADED POLE ADAPTER ALUMINUM CASTING
- (1) 1 1/2" NPT SCH. 80 HD STAINLESS STEEL CLOSE NIPPLE
- (2) 1/2" BOLT
- (2) 1/2" SPRING LOCK WASHER
- (2) 1/2" NUT

APPLY ANTI-SEIZE LUBRICANT TO ALL THREADED SURFACES.



45B THREADED POLE ADAPTER

45B THREADED POLE ADAPTER

DATE
05-15-13

Frey Manufacturing Corporation
 13150 STEWART AVE., NORWOOD, MN 55368-9675
 VOICE/FAX 952-467-4402

DWG NO.	REV
18	4