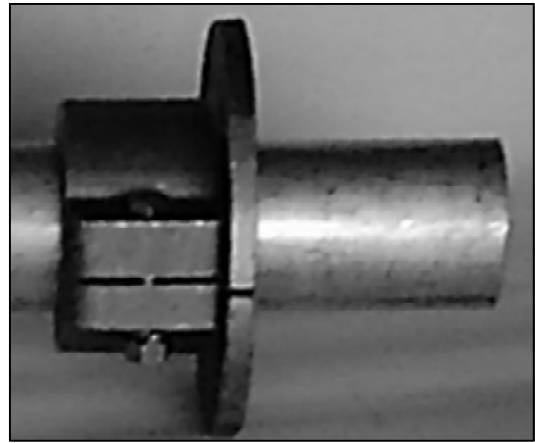


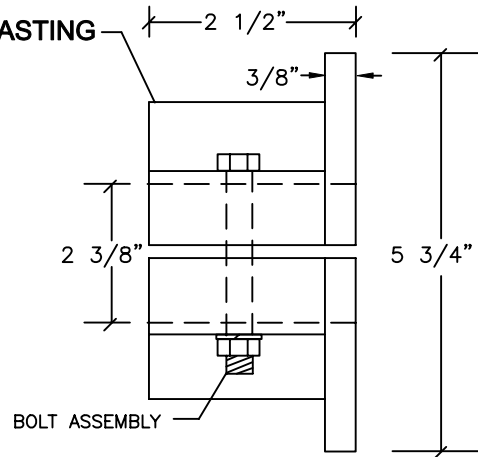
32C CLAMP ADAPTER SUPPLIED HARDWARE  
 HARDWARE MEETS OR EXCEEDS Mn/DOT SPECIFICATIONS

- (1) 11C CLAMP ADAPTER ALUMINUM CASTING (TWO HALVES)
  - (2) 3/8" X 2 1/4" BOLT
  - (2) 3/8" SPRING LOCK WASHER
  - (2) 3/8" NUT
- APPLY ANTI-SEIZE LUBRICANT TO ALL THREADED SURFACES.

- NOTES:
1. FOR PROVIDING SIGNAL FLANGE ON 2" TENON OR PIPE. ALSO SEE MAST ARM EXTENSION AND MINI-SIGNAL BRACKET.
  2. IF USING TWO ADAPTERS, BOLT TOGETHER WITH A "C TO C", OR "C TO D" PARTS KIT.



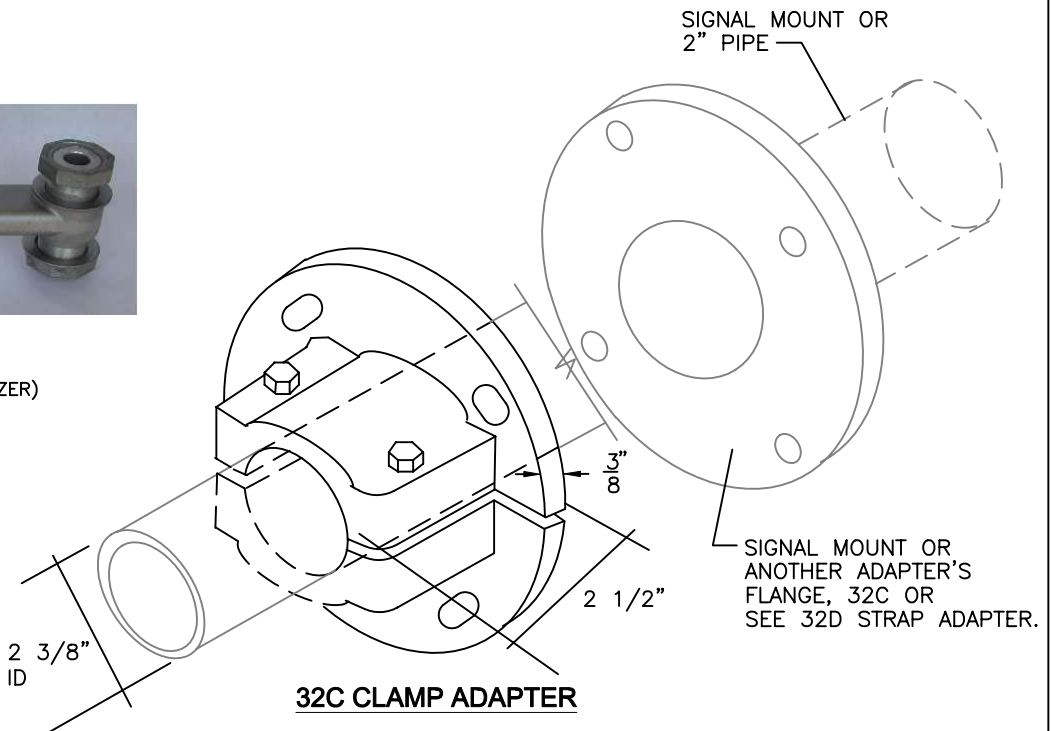
**11C CLAMP ADAPTER CASTING**



**32C CLAMP ADAPTER**



**32C CLAMP ADAPTER**  
 (INSTALLED WITH 35E ELEVATOR PLUMBIZER)



**32C CLAMP ADAPTER**

**Frey Manufacturing Corporation**  
 13150 STEWART AVE., NORWOOD, MN 55368-9675  
 VOICE/FAX 952-467-4402

DATE	DWG NO.	REV
02-09-09	5.1.0	