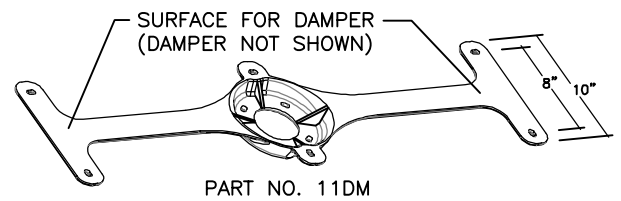


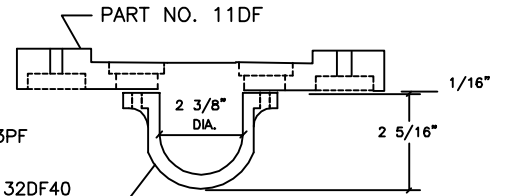
63DM DAMPER MOUNT PARTS LIST

- (1) 63DA-PK DAMPER ATTACHING PARTS KIT (6)
 - (6) 3/8" X 1" BOLTS
 - (12) 3/8" FLAT WASHERS
 - (6) 3/8" SPRING LOCK WASHERS
 - (6) 3/8" GALVANIZED HEX NUT
- (1) 63DM DAMPER MOUNT BRACKET ASSEMBLY (5)
 - (1) 11DM DAMPER MOUNT CASTING
 - (1) 11R ADJUSTING BALL CASTING
 - (4) 3/8" X 2 1/2" CARRIAGE BOLTS
 - (4) 3/8" FLAT WASHERS
 - (4) 3/8" SPRING LOCK WASHERS
 - (4) 3/8" GALVANIZED HEX NUT
- (1) 32C CLAMP ADAPTER ASSEMBLY (4)
 - (1) 11C CLAMP ADAPTER CASTING (TWO HALVES)
 - (2) 3/8" X 2" BOLTS
 - (2) 3/8" SPRING LOCK WASHERS
 - (2) 3/8" GALVANIZED HEX NUT
- (1) 2" X 48" SCHEDULE 40 ALUMINUM PIPE (2 3/8" O.D.)** (3)
- (1) 63PF PIPE FETTER ASSEMBLY (2)
 - (4) 3/8" X 1 1/2" BOLTS
 - (8) 3/8" FLAT WASHERS
 - (4) 3/8" SPRING LOCK WASHERS
 - (4) 3/8" GALVANIZED HEX NUT
- (1) 32DF40 FLAT STRAP ADAPTER ASSEMBLY (1)
 - (1) 11DF FLAT UNIVERSAL HUB CASTING
 - (4) 11RW ROCKING WASHER CASTINGS
 - (2) 25G 40"STRAP (UP TO 44" DIAMETER OR 14" O.D.*)
 - (4) 25TB 5/16" X 2 1/2" "T" BOLTS
 - (4) 5/16" FLAT WASHERS
 - (6) 5/16" SPRING LOCK WASHERS, (2) FOR STRAPS
 - (4) 5/16" NUT
 - (2) 5/16" X 3/4" LOCKING BOLT (FOR STRAPS)
 - (4) 1/4" X 3/4" TRUSS HEAD BOLTS
 - (4) 1/4" FLAT WASHERS
 - (4) 1/4" SPRING WASHERS
 - (4) 1/4" NUT



NOTE:
63DM DAMPER MOUNT ASSEMBLY IS SUPPLIED WITH PARTS AND HARDWARE AS SHOWN ON THIS DRAWING. ASSEMBLIES INCLUDE HARDWARE WITH SERIES 11xx ALUMINUM CASTINGS. HARDWARE IS STAINLESS STEEL UNLESS OTHERWISE NOTED.

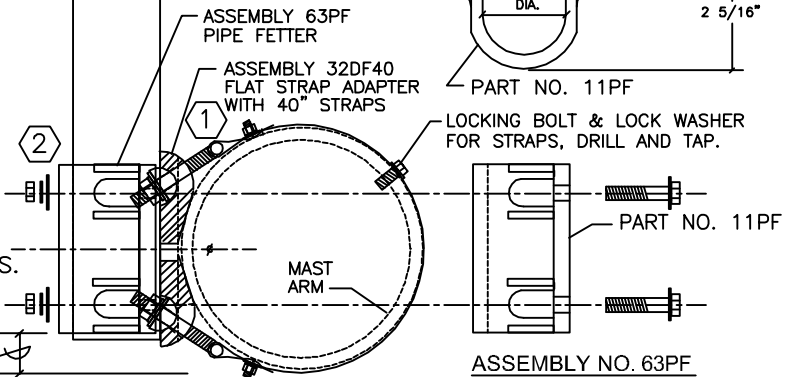
(3) SUPPLIED ALUMINUM PIPE FIELD CUT TO JOB SPECIFICATION



* STRAPPING NOT RECOMMENDED FOR LARGER DIAMETER SUPPORTS. FOR LARGER DIAMETER SUPPORTS, USE THRU-BOLT ROD. FOR FLAT SURFACES, BOLT DIRECTLY TO SURFACE. CONTACT SUPPLIER FOR MORE INFORMATION.

APPLY ANTI-SIEZE LUBRICANT ON ALL THREADED SURFACES.

** TO AVOID ACCIDENT DAMAGE TO MAST ARM, DO NOT ALLOW PIPE TO EXTEND BELOW BOTTOM OF MAST ARM.



63DM DAMPER MOUNT ASSEMBLY

63DM DAMPER MOUNT ASSEMBLY

DATE
6-07-12

Frey Manufacturing Corporation
13150 STEWART AVE., NORWOOD, MN 55368-9675
VOICE/FAX 952-467-4402

DWG NO.
7.1.0

REV.
-