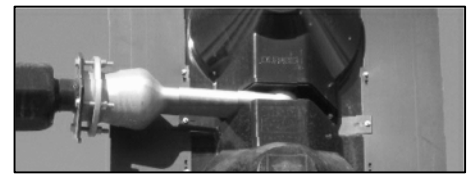


Part No. 11R BALL

35E ELEVATOR PLUMBIZER SUPPLIED HARDWARE ASSEMBLY

HARDWARE MEETS OR EXCEEDS STATE SPECIFICATIONS

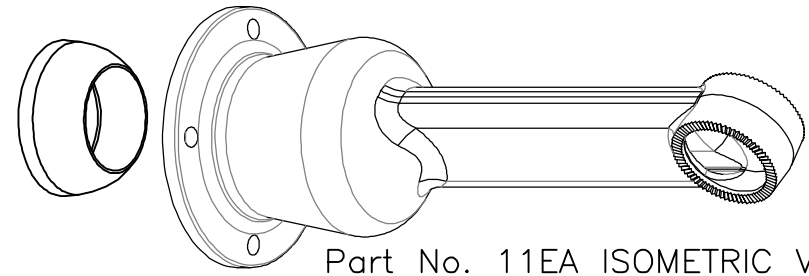
- (1) 11EA OPEN END STRAIGHT PLUMBIZER CASTING
- (1) 11R BALL CASTING
- (4) 3/8" X 2 1/2" BOLT
- (8) 3/8" FLAT WASHER
- (6) 3/8" SPRING LOCK WASHER
- (6) 3/8" NUT
- (2) 3/8" X 4 1/2" CARRIAGE BOLT



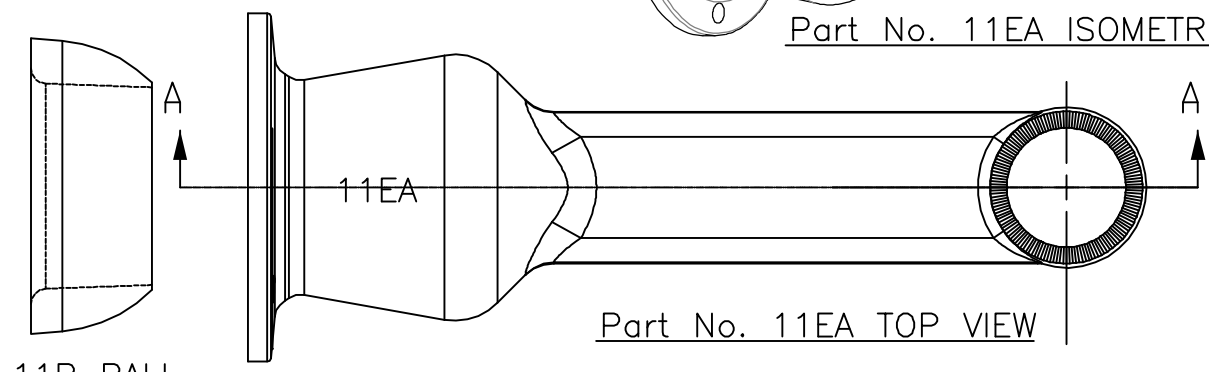
MAY BE USED WITH STANDARD OR McCAIN PROGRAMMABLE SIGNALS.
APPLY ANTI-SEIZE LUBRICANT TO ALL THREADED SURFACES.

NOT INCLUDED

- (2) 11F SPACER REQUIRED FOR 4-5 SECTION PLASTIC SIGNALS, OR HORIZONTAL MOUNTING, (SEE DWG. 9.04)
11F SPACERS NOT REQUIRED FOR McCAIN PROGRAMMABLE SIGNALS.
- (1) CAP PEDESTRIAN CAP FOR PEDESTRIAN SIGNAL MOUNTING (SEE DWG. 9.04).
- (1) LPK LONG BOLT SET TO ATTACHED STANDARD SIGNALS TO MOUNT (SEE DWG. 9.04).

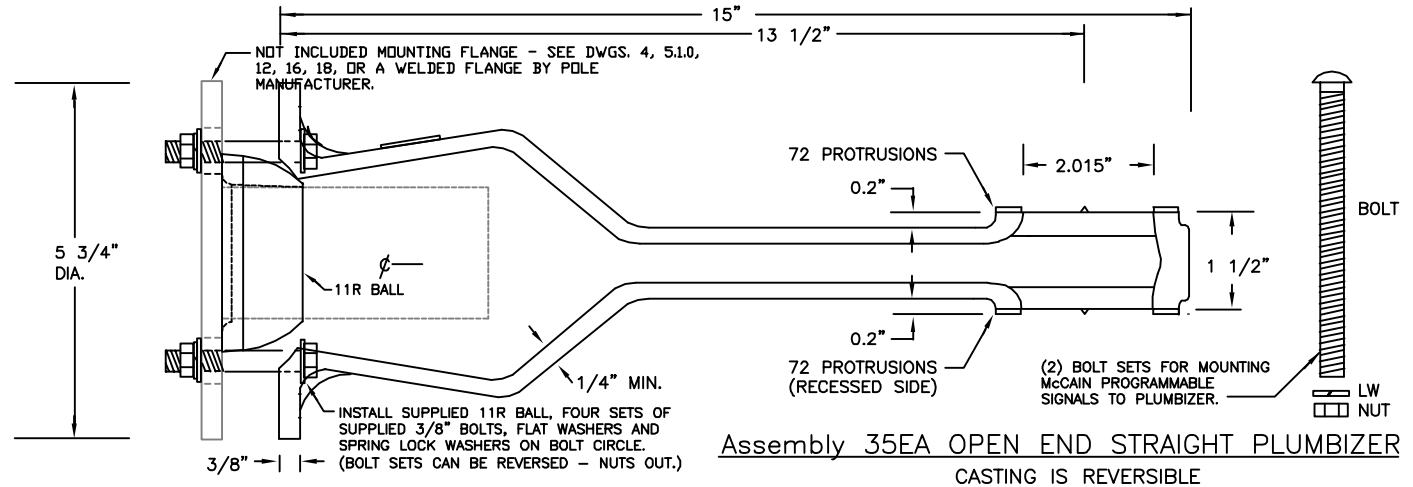


Part No. 11EA ISOMETRIC VIEW



Part No. 11EA TOP VIEW

11R BALL



Assembly 35EA OPEN END STRAIGHT PLUMBIZER
CASTING IS REVERSIBLE

35EA OPEN END STRAIGHT PLUMBIZER ASSEMBLY

NOT TO SCALE

FREY
Manufacturing Corp.
www.FreyMfgCorp.com
Made in USA
Patent Pending
Phone: 952-467-4402

35EA OPEN END STRAIGHT PLUMBIZER	DATE	DWG. NO.	REV.
	09-15-15	9.03	-

DATE	DWG. NO.	REV.
09-15-15	9.03	-