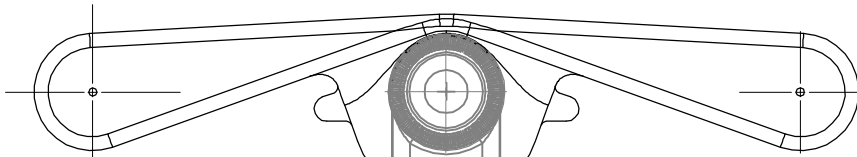
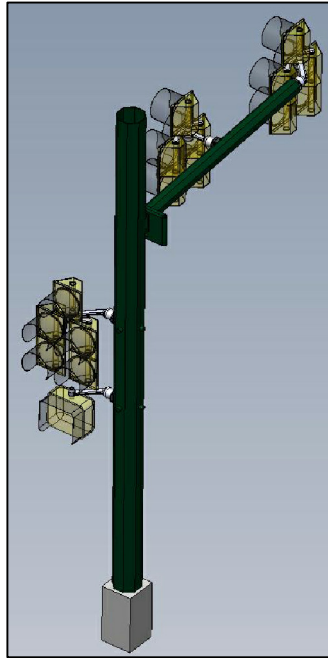
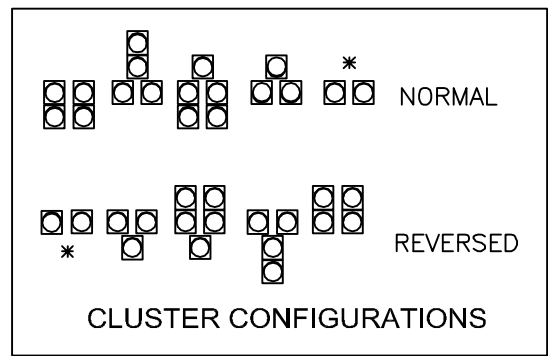


FRONT (TRAFFIC) SIDE

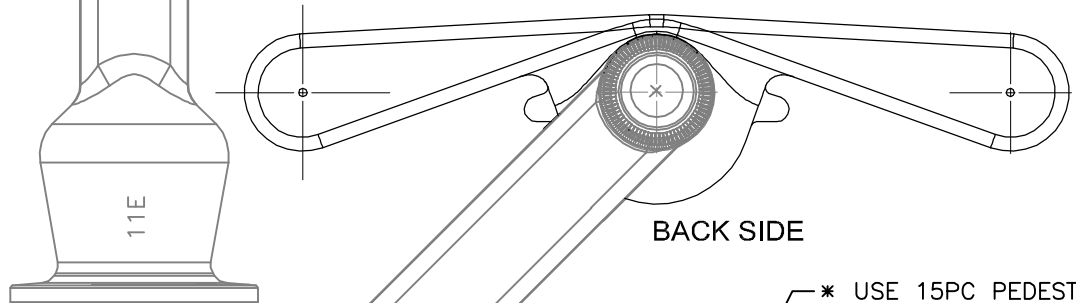


BACK SIDE

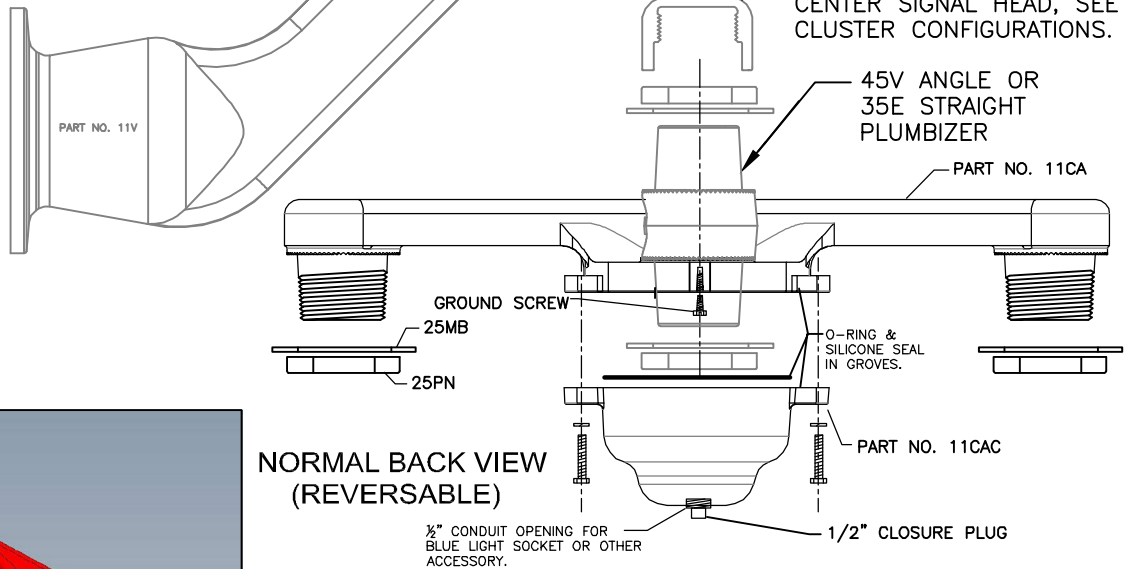
SEE DWG. 9.3.1 FOR PARTS LIST AND WEEP HOLE INSTRUCTIONS.



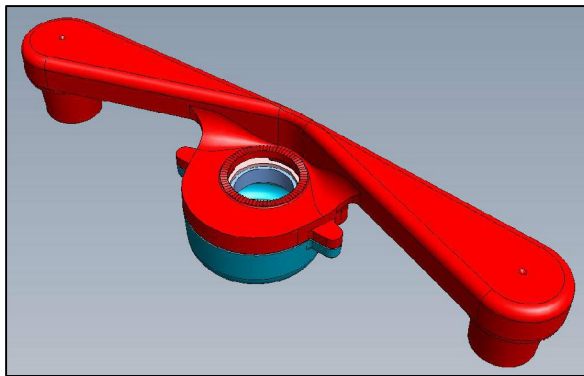
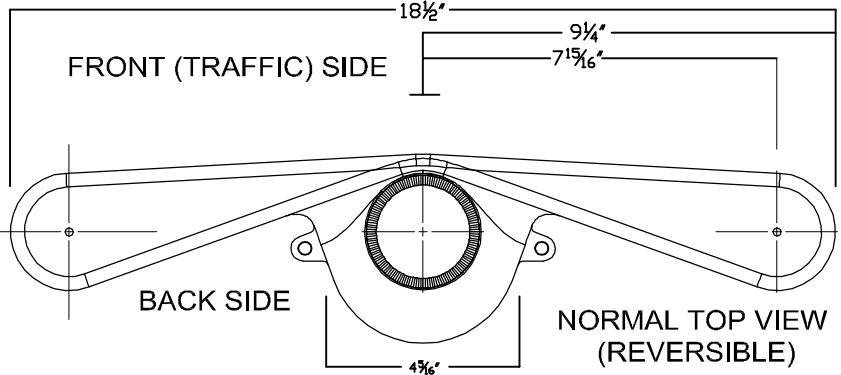
FRONT (TRAFFIC) SIDE



BACK SIDE



NORMAL BACK VIEW (REVERSABLE)



NORMAL ISOMETRIC TOP VIEW

1" ADJUST TO SCALE

# 52CA CLUSTER ADAPTER w/PLUMBIZER

DATE  
3-25-13

Frey Manufacturing Corporation  
13150 STEWART AVE., NORWOOD, MN 55368-9675  
VOICE/FAX 952-467-4402

DWG NO. 9.3.2  
REV 1