



13150 STEWART AVE. * NORWOOD, MN 55368-9675
 PHONE (952) 467-4402; Toll Free Fax: 1-866-941-FREY (3739)
 Mobile: (612) 790-2797
 E-MAIL: FreyMfg@FreyMfgCorp.com; Website: FreyMfgCorp.com



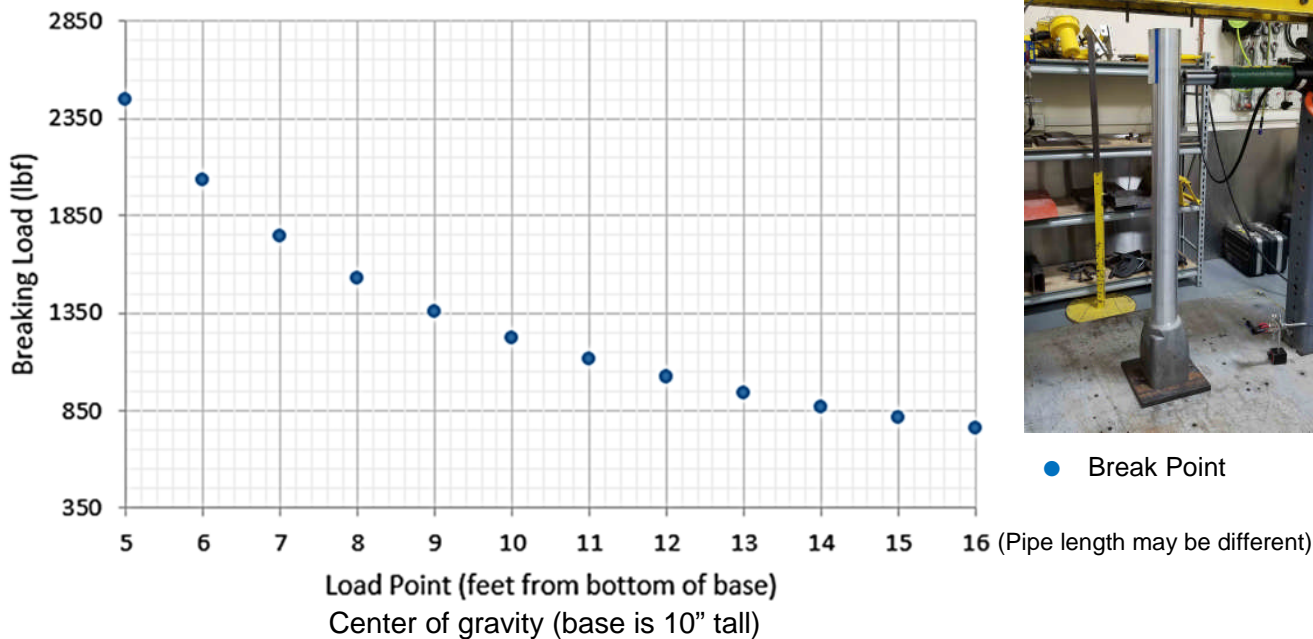
RE: Crosswalk Pedestal Base Load Test for Pedestrian and Traffic Signal equipment.

The following tests are for determining the loading for the base and the center of gravity of the load on a pipe. The base is frangible (breakable) with a Schedule 40 pipe. Schedule 40 and Schedule 80 pipes will fit on to the base.

Figure 1

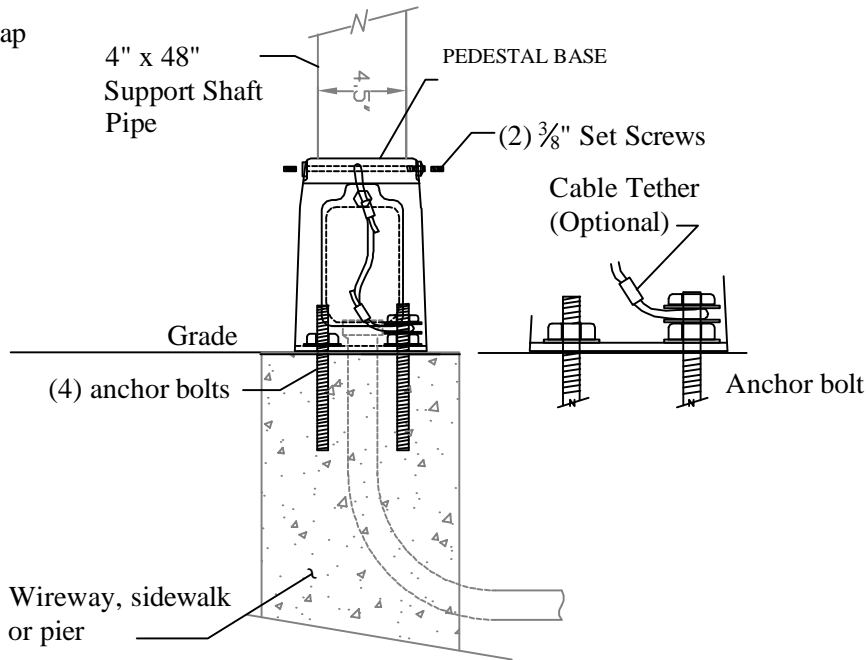
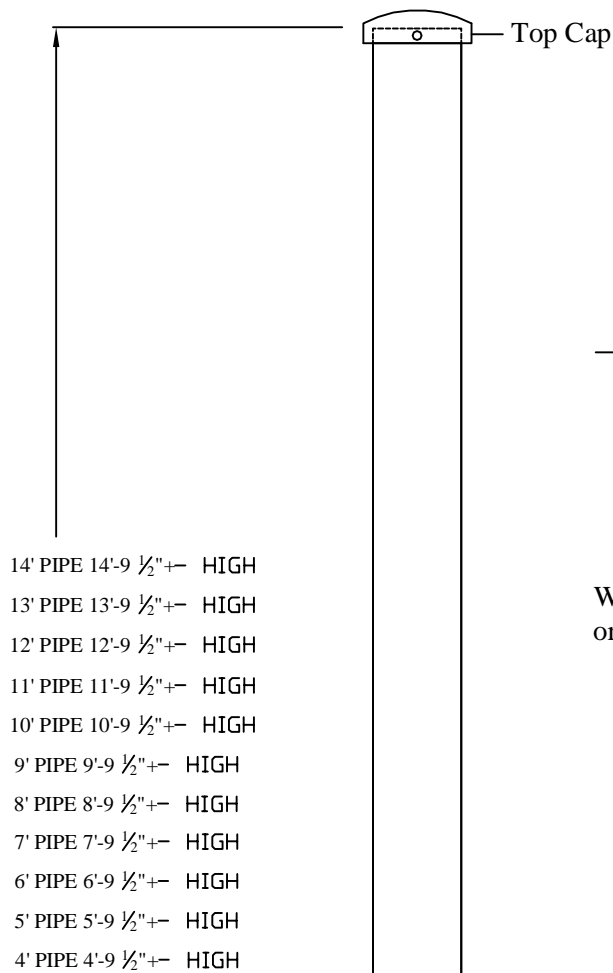
Tested on 4-5-2017				
Base style – Direction of Test	Load Direction	Load at Failure (lbf)	Deflection at Failure (in)	Maximum Bending Moment (ft-lbs)
CP6 Door Push	Y @ 4'	2,903	4.223	12,216
CP6 Wall Push	X @ 4'	2,987	3.544	12,569

Figure 2

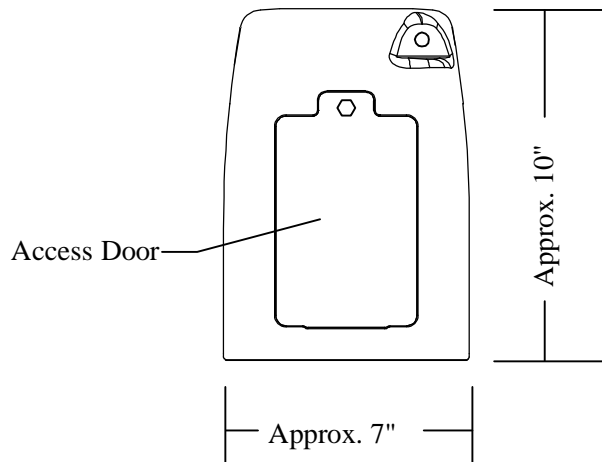


As an approximate guideline, a 3-section plastic signal with sunshield weighs approximately 30 lbs. or 200 lbs. at 100 MPH. A pedestrian signal weighs approximately 10 lbs. or 65 lbs. at 100 MPH. The dots on the chart above show the breaking point of the base, starting with Figure 1 at 2,900 lbs. at 4' above grade. Determine your equipment load, look at Figure 2 chart for where the center of gravity of the load would be, multiply the Breaking Load value by 60% (4 SWL) to determine how much load can be mounted using the CP6 base. Actual Equipment weight, Wind Loading, and Safe Working Load (SWL) to be determined by the engineer. Testing results above are for reference only of a certified test of the CP6 base.

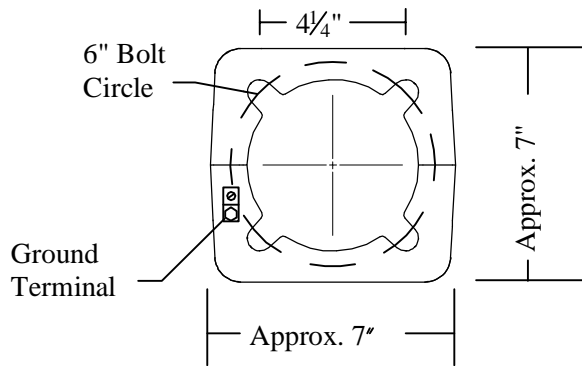
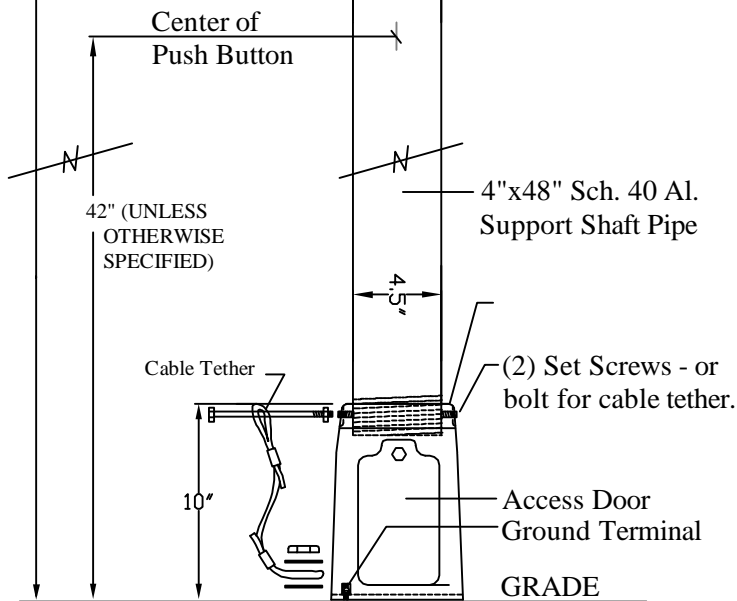
Visit our website for signal mounting equipment.



BASE MOUNTING



BASE SIDE VIEW



BASE BOTTOM VIEW

CROSSWALK - SIGNAL PEDESTAL ASSEMBLY

NOT TO SCALE

FREY MANUFACTURING CORPORATION 13150 STEWART AVE., NORWOOD, MN 55368 VOICE: 952-467-4402, Toll Free Fax: 1-866-941-FREY (3739) Web: FreyMfgCorp.com Email: FreyMfg@FreyMfgCorp.com <small>Patent 9493918</small>	CROSSWALK - SIGNAL PEDESTAL FOR VARIOUS LENGTHS OF 4" PIPES CATALOG #: CP6 SERIES	DATE	DWG. NO.	REV.
		4-20-17	8.5.0	